



DOCUMENTATION TECHNIQUE

APRILIA RS50 (2004)

MANUEL DU PROPRIÉTAIRE (ANGLAIS)

WWW.50FACTORY.COM

INFO@50FACTORY.COM // 05 40 13 02 24




aprilia part# 8202412

use+maintenancebook



SAFETY WARNINGS

The following precautionary warnings are used throughout this manual in order to convey the following messages:

 **Safety warning. When you find this symbol on the vehicle or in the manual, be careful to the potential risk of personal injury. Non-compliance with the indications given in the messages preceded by this symbol may result in grave risks for you and other people's safety and for the vehicle!**

First edition: january 2004

Reprint:

WARNING

Indicates a potential hazard which may result in serious injury or even death.

CAUTION

Indicates a potential hazard which may result in minor personal injury or damage to the vehicle.

NOTE The word “NOTE” in this manual precedes important information or instructions.

INFORMATION

★ The operations preceded by this symbol must be repeated on the opposite side of the vehicle.

If not expressly indicated otherwise, for the reassembly of the units repeat the disassembly operations in reverse order.

The terms “right” and “left” are referred to the rider seated on the vehicle in the normal riding position.

Any mention to the use of the vehicle with passenger is to be intended as referred only to the countries where this is allowed.

WARNINGS - PRECAUTIONS - GENERAL ADVICE

Before starting the engine, carefully read this manual and in particular the chapters “WARNINGS - PRECAUTIONS - GENERAL ADVICE” and “SAFE DRIVE”.

Your and other people's safety depends not only on your quickness of reflexes and on your agility, but also on what you know about the vehicle, on its efficiency and on your knowledge of the basic information for RIDING SAFELY. Therefore, get a thorough knowledge of the vehicle, in such a way as to be able to drive in the traffic safely.

Prodotto e impresso por:

DECA s.r.l.
Via Risorgimento, 23/1 - Lugo (RA) - Italia
Tel. +39 - 0545 35235
Fax +39 - 0545 32844
E-mail: deca@decaweb.it
www.decaweb.it

por cuenta de:

aprilia s.p.a.
via G. Galilei, 1 - 30033 Noale (VE) - Italy
Tel. +39 - (0)41 58 29 111
Fax +39 - (0)41 44 10 54
www.aprilia.com

NOTE This manual must be considered as an integral part of the vehicle and must always accompany it, even in case of re-sale.

aprilia has carried out this manual with the maximum attention, in order to supply the user with correct and updated information. However, since **aprilia** constantly improves the design of its products, there may be slight discrepancies between the characteristics of your vehicle and those described in this manual.

For any clarification concerning the information contained in this manual, do not hesitate to contact your **aprilia** Official Dealer.

For control and repair operations not expressly described in this publication, for the purchase of **aprilia** genuine spare parts, accessories and other products, as well as for specific advice, contact exclusively **aprilia** Official Dealers and Service Centers, which guarantee prompt and accurate assistance.

Thank you for choosing **aprilia**. We wish you a nice ride.

All rights as to electronic storage, reproduction and total or partial adaptation, with any means, are reserved for all Countries.

NOTE In some countries the antipollution and noise regulations in force require periodical inspections.

The user of the vehicle in these countries must:

- contact an **aprilia** Official Dealer to have the non-homologated components replaced with others homologated for use in the country in question;
- carry out the required periodical inspections.

NOTE Soon after purchasing the vehicle, write down the identification data indicated on the SPARE PARTS IDENTIFICATION LABEL in the table here below. The label is positioned under the rider saddle; to read it, it is necessary to remove the rider saddle, see p. 52 (REMOVING THE RIDER SADDLE).

aprilia		YEAR				I.M.				
		Y	1	2	3	4	A	B	C	D
SPARE PARTS IDENTIFICATION										
I	UK	A	P	SF	B	D	F	E	GR	
NL	CH	DK	J	SGP	SLO	IL	ROK	MAL	RCH	
HR	AUS	USA	BR	RSA	NZ	CDN				

These data indicate:

- YEAR = year of manufacture (Y, 1, 2, ...);
- I.M. = modification code (A, B, C, ...);
- COUNTRY CODES = homologation country (I, UK, A, ...).

and are to be supplied to the **aprilia** Official Dealer as reference data for the purchase of spare parts or specific accessories of the model you have acquired.




In this manual the various versions are indicated by the following symbols:

- OPT** optional
-  catalytic version

VERSION:

- I** Italy
- UK** United Kingdom
- A** Austria
- P** Portugal
- SF** Finland
- B** Belgium
- D** Germany
- F** France
- E** Spain
- GR** Greece
- NL** Holland
- CH** Switzerland
- DK** Denmark
- J** Japan
- SGP** Singapore
- SLO** Slovenia
- IL** Israel
- ROK** South Korea
- MAL** Malaysia
- RCH** Chile
- HR** Croatia
- AUS** Australia
- USA** United States of America
- BR** Brazil
- RSA** South Africa
- NZ** New Zealand
- CDN** Canada

TABLE OF CONTENTS

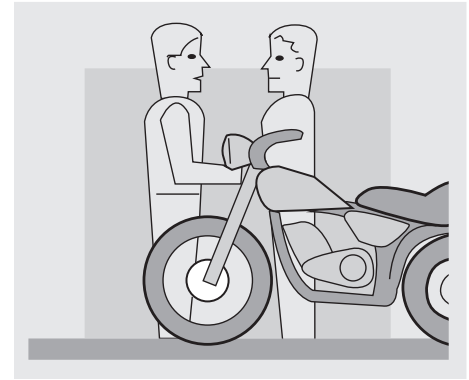
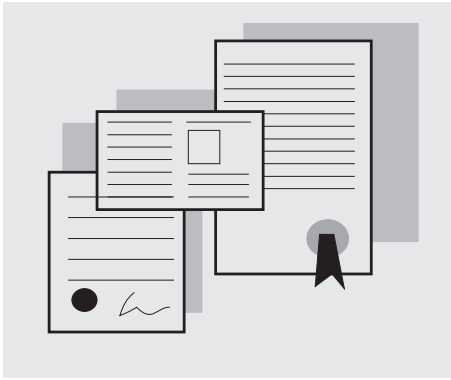
SAFE DRIVE	5	INSTRUCTIONS FOR USE	31	BATTERY	59
BASIC SAFETY RULES	6	PRELIMINARY		LONG INACTIVITY OF THE BATTERY	59
CLOTHING	9	CHECKING OPERATIONS	31	CHECKING AND CLEANING	
ACCESSORIES	10	STARTING	32	THE TERMINALS	60
LOAD	10	DEPARTURE AND DRIVE	34	REMOVING THE BATTERY	60
ARRANGEMENT OF THE MAIN ELEMENTS ..	12	RUNNING-IN	37	CHECKING	
ARRANGEMENT		STOPPING	37	THE ELECTROLYTE LEVEL	61
OF THE INSTRUMENTS/CONTROLS	14	PARKING	37	RECHARGING THE BATTERY	61
INSTRUMENTS AND INDICATORS	14	SUGGESTIONS TO PREVENT THEFT	38	INSTALLING THE BATTERY	61
INSTRUMENTS		MAINTENANCE	39	CHANGING THE FUSE	62
AND INDICATORS TABLE	15	REGULAR SERVICE INTERVALS CHART ..	40	CLEANING THE EXHAUST SILENCER	
MAIN INDEPENDENT CONTROLS	16	IDENTIFICATION DATA	42	AND THE EXHAUST TERMINAL	62
CONTROLS ON THE LEFT PART		POSITIONING THE VEHICLE ON THE		CHECKING THE SIDE STAND	64
OF THE HANDLEBAR	16	FRONT SUPPORT STAND OPT	42	CHECKING THE SWITCHES	64
CONTROLS ON THE RIGHT PART		POSITIONING THE VEHICLE		ADJUSTING THE VERTICAL	
OF THE HANDLEBAR	17	ON THE REAR SUPPORT STAND OPT	43	HEADLIGHT BEAM	65
IGNITION SWITCH	18	CHECKING THE TRANSMISSION		BULBS	65
STEERING LOCK	18	OIL LEVEL AND TOPPING UP	44	CHANGING THE HEADLIGHT BULBS	66
AUXILIARY EQUIPMENT	19	CHANGING THE TRANSMISSION OIL ..	45	CHANGING THE FRONT AND REAR	
GLOVE/TOOL KIT COMPARTMENT	19	FRONT WHEEL	46	DIRECTION INDICATOR BULBS	67
REAR MUDGUARD EXTENSION		REAR WHEEL	48	CHANGING	
(in the countries where required) ..	19	DRIVE CHAIN	50	THE REAR LIGHT BULB	68
SPECIAL TOOLS OPT	20	REMOVING THE RIDER SADDLE	52	TRANSPORT	68
MAIN COMPONENTS	21	REMOVING THE SIDE FAIRINGS	52	DRAINING THE FUEL TANK	69
FUEL	21	LIFTING THE FUEL TANK	53	CLEANING	70
TRANSMISSION OIL	21	AIR CLEANER	54	LONG PERIODS OF INACTIVITY	71
BRAKE FLUID-recommendations	22	REMOVING THE EXHAUST SILENCER ..	54	TECHNICAL DATA	72
DISC BRAKES	22	INSPECTING THE FRONT		LUBRICANT CHART	75
FRONT BRAKE	23	AND REAR SUSPENSIONS	55	Importers	77
REAR BRAKE	24	CHECKING THE BRAKE PAD WEAR	56	Importers	78
2 STROKE OIL TANK	25	IDLING ADJUSTMENT	57	Importers	79
ADJUSTING THE SHIFTING LEVER	25	ADJUSTING		Importers	80
ADJUSTING THE REAR BRAKE	26	THE ACCELERATOR CONTROL	57	WIRING DIAGRAM - RS 50	81
ADJUSTING THE CLUTCH	27	SPARK PLUG	58	WIRING DIAGRAM KEY - RS 50	82
COOLANT	28				
TYRES	29				
CATALYTIC SILENCER   AUS	30				
EXHAUST SILENCER 	30				

aprilia



safe drive





BASIC SAFETY RULES

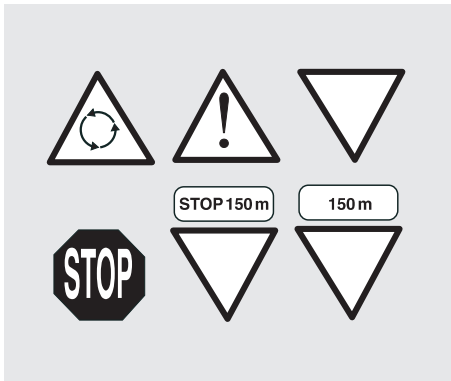
To drive the vehicle it is necessary to be in possession of all the requirements prescribed by law (driving licence, minimum age, psychophysical ability, insurance, state taxes, vehicle registration, number plate, etc.).

Gradually get to know the vehicle by driving it first in areas with low traffic and/or private areas.

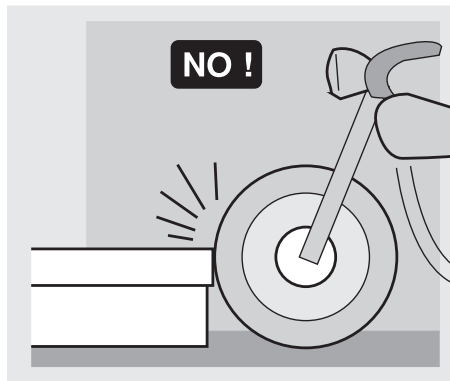
The use of medicines, alcohol and drugs or psychotropic substances notably increases the risk of accidents. Be sure that you are in good psychophysical conditions and fit for driving and pay particular attention to physical weariness and drowsiness.

Most road accidents are caused by the driver's lack of experience.

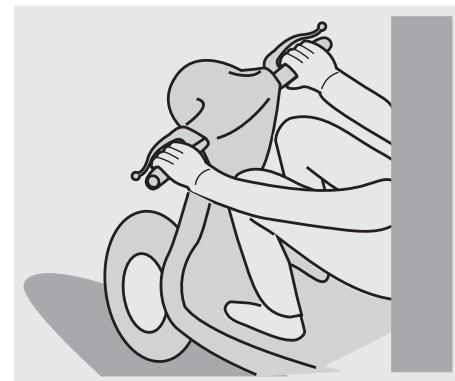
NEVER lend the vehicle to beginners and, in any case, make sure that the driver has all the requirements for driving.



Rigorously observe all road signs and national and local road regulations. Avoid abrupt movements that can be dangerous for yourself and other people (for example: rearing up on the back wheel, speeding, etc.), and give due consideration to the road surface, visibility and other driving conditions.

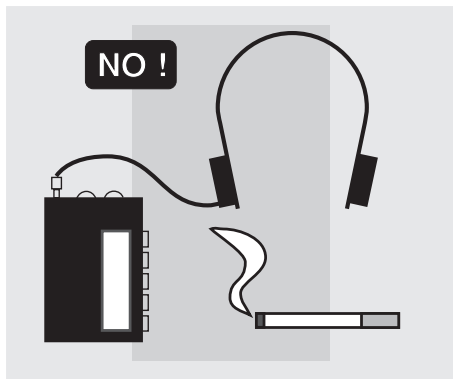


Avoid obstacles that could damage the vehicle or make you lose control. Avoid riding in the slipstream created by preceding vehicles in order to increase your speed.

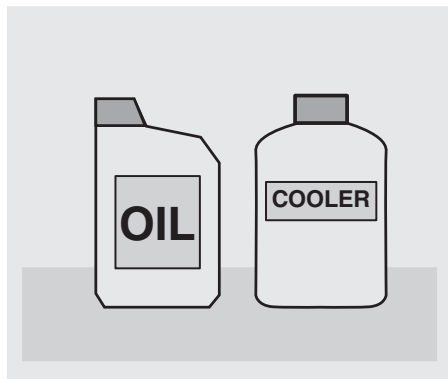


▲ WARNING

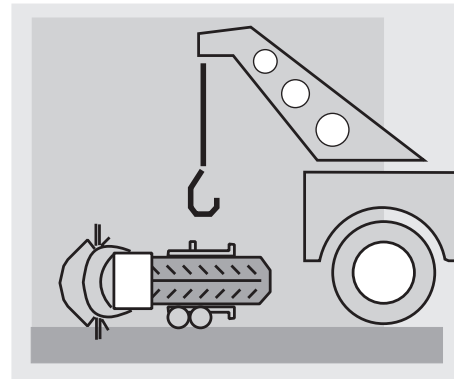
Always drive with both hands on the handlebars and both feet on the footrests (or on the rider's footboards), in the correct driving posture. Avoid standing up or stretching your limbs while driving.



The driver should pay attention and avoid distractions caused by people, things and movements (never smoke, eat, drink, read, etc.) while driving.



Use only the vehicle's specific fuels and lubricants indicated in the "LUBRICANT CHART"; check the oil, fuel and coolant levels regularly.

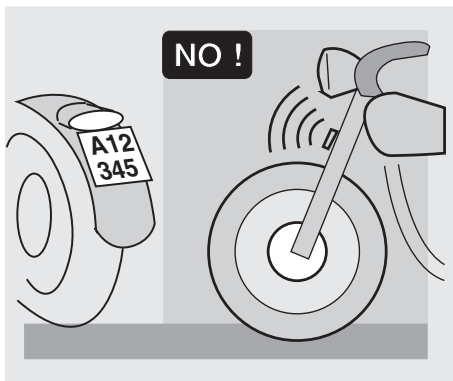


If the vehicle has been involved in an accident, make sure that no damage has occurred to the control levers, pipes, wires, braking system and vital parts.

If necessary, have the vehicle inspected by an **aprilia** Official Dealer, who should carefully check the frame, handlebars, suspensions, safety parts and all the devices that you cannot check by yourself.

Always remember to report any malfunction to the technicians to help them in their work.

Never use the vehicle when the amount of damage it has suffered endangers your safety.

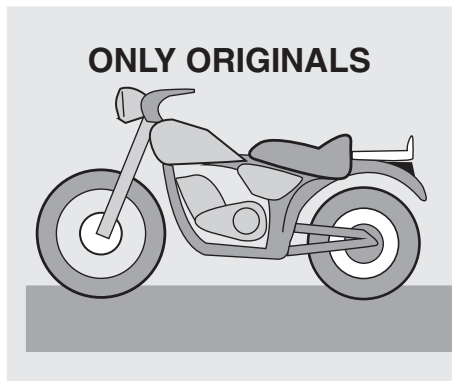


Never change the position, inclination or colour of: number plate, direction indicators, lights and horns.

Any modification of the vehicle will result in the invalidity of the guarantee.

Any modification of the engine or of other members which is aimed at increasing the speed or the power of the vehicle is prohibited by the law; in fact, any modification resulting in an increase of the maximum speed or of the engine displacement would change the scooter into a motorcycle, which implies the following obligations for the owner:

- new homologation;
- new registration;
- appropriate driving license.

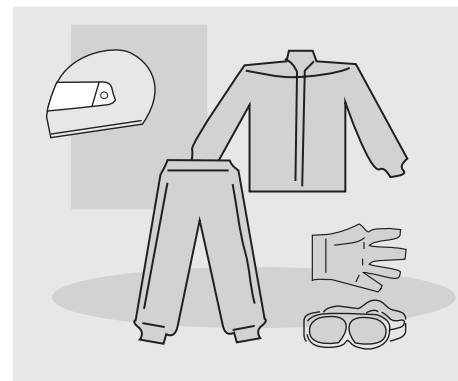


Further, said modifications cause the loss of the insurance cover, since insurance policies expressly prohibit to make technical changes aimed at increasing the vehicle performance levels.

For the reasons stated above, the failure to comply with the tampering prohibition is punished by law with apposite sanctions (including the confiscation of the vehicle), which, according to the case, can be combined with the sanctions provided for not using the crash helmet and/or the number plate, for the violation of fiscal obligations (ownership tax) and with penal sanctions provided for using the vehicle without driving license.

Never race with other vehicles.

Avoid off-road driving.

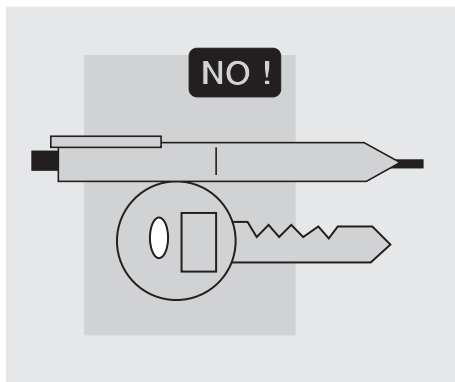


CLOTHING

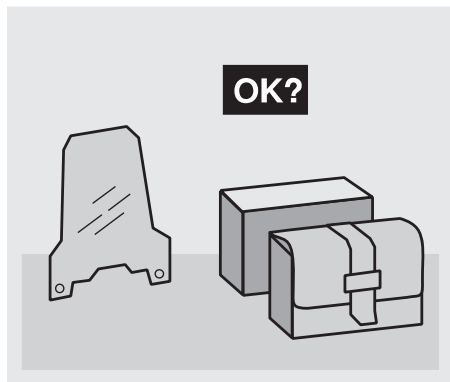
Before starting, always wear a correctly fastened crash helmet. Make sure that it is homologated, in good shape, of the right size and that the visor is clean.

Wear protective clothing, preferably in light and/or reflecting colours. In this way you will make yourself more visible to the other drivers, thus notably reducing the risk of being knocked down, and you will be more protected in case of fall.

This clothing should be very tight-fitting and fastened at the wrists and ankles. Strings, belts and ties should not be hanging loose; prevent these and other objects from interfering with driving by getting entangled with moving parts or driving mechanisms.



Do not keep objects that can be dangerous in case of fall, for example pointed objects like keys, pens, glass vials etc. in your pockets (the same recommendations also apply to passengers).



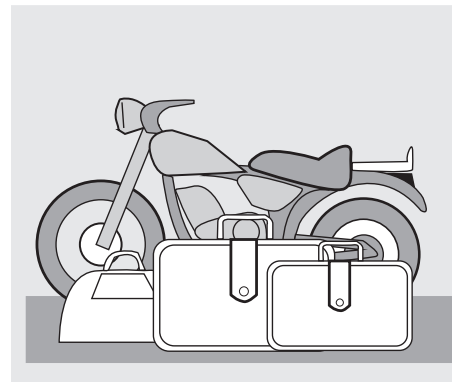
ACCESSORIES

The owner of the vehicle is responsible for the choice, installation and use of any accessory.

Avoid installing accessories that cover horns or lights or that could impair their functions, limit the suspension stroke and the steering angle, hamper the operation of the controls and reduce the distance from the ground and the angle of inclination in turns.

Avoid using accessories that hamper access to the controls, since this can prolong reaction times during an emergency.

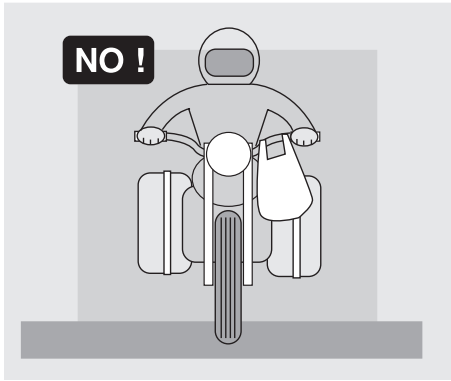
Large fairings and windscreens assembled on the vehicle can produce aerodynamic forces capable of compromising the stability of the vehicle while driving.



Make sure that the equipment is well fastened to the vehicle and not dangerous during driving. Do not install electrical devices and do not modify those already existing to avoid electrical overloads, because the vehicle could suddenly stop or there could be a dangerous current shortage in the horn and in the lights. **aprilia** recommends the use of genuine accessories (**aprilia** genuine accessories).

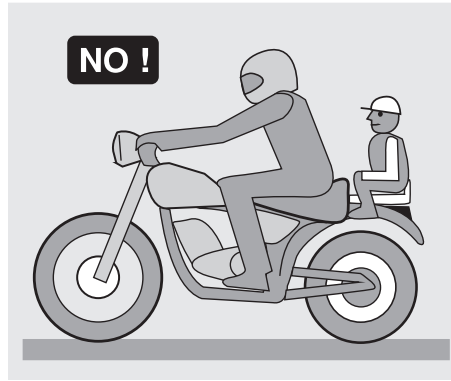
LOAD

Be careful and moderate when loading your luggage. Keep any luggage loaded as close as possible to the centre of the vehicle and distribute the load uniformly on both sides, in order to reduce imbalance to the minimum. Furthermore, make sure that the load is firmly secured to the vehicle, especially during long trips.



Avoid hanging bulky, heavy and/or dangerous objects on the handlebars, mudguards and forks, because the vehicle might respond more slowly in turns and its manoeuvrability could be unavoidably impaired.

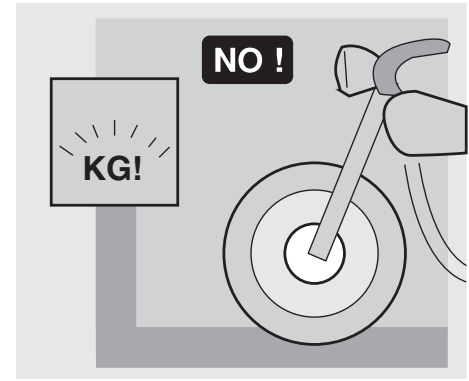
Do not place bags that are too bulky on the vehicle sides and do not ride with the crash helmet hanging from its string, because it could hit people or obstacles making you lose control of the vehicle.



Do not carry any bag if it is not tightly secured to the vehicle.

Do not carry bags which protrude too much from the luggage rack or which cover the lights, horn or indicators.

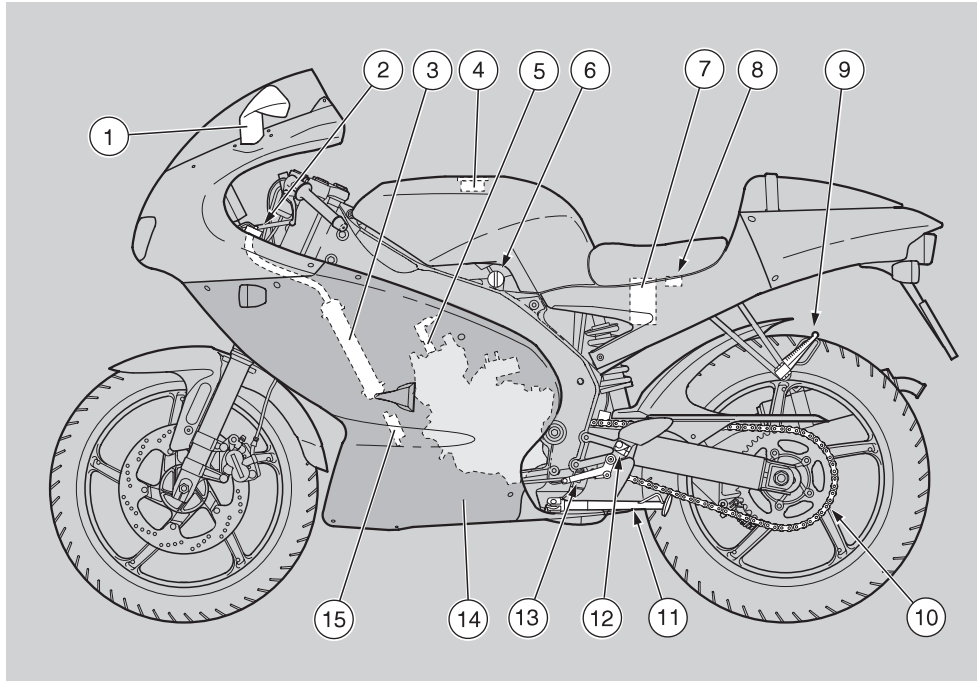
Do not carry animals or children on the glove compartment or on the luggage rack.



Do not exceed the maximum load allowed for each side-bag.

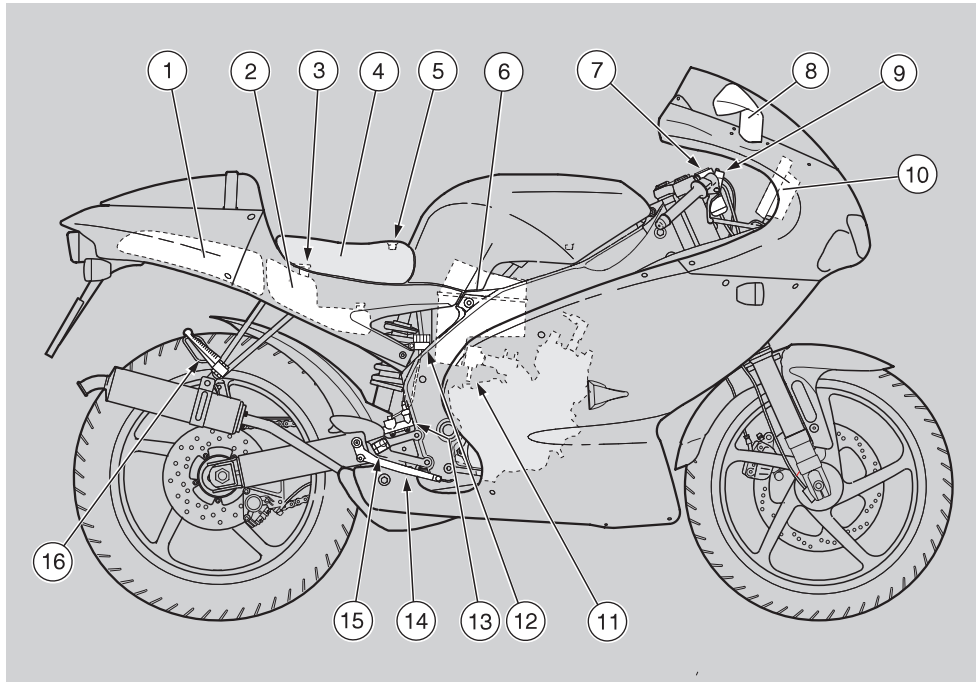
When the vehicle is overloaded, its stability and its manoeuvrability can be compromised.

ARRANGEMENT OF THE MAIN ELEMENTS



KEY

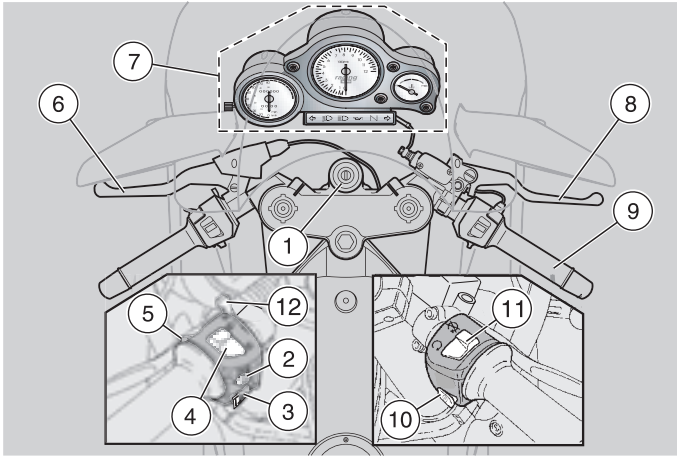
- | | | |
|--------------------------|---|---|
| 1) Left rear-view mirror | 8) Fuse carrier | 12) Rider left footrest
(with spring, always open) |
| 2) Radiator cap | 9) Passenger left footrest
(snapping, closed/open) | 13) Shifting lever |
| 3) Radiator | 6) Fuel tap | 14) Left fairing |
| 4) Fuel tank plug | 11) Side stand (with automatic return) | 15) Horn |
| 5) Spark plug | | |



KEY

- | | | |
|----------------------------------|------------------------------|--|
| 1) Glove/tool kit compartment | 8) Right rear-view mirror | 15) Rider right footrest
(with spring, always open) |
| 2) 2 stroke oil tank | 9) Front brake fluid tank | 16) Passenger right footrest
(snapping, closed/open)
(in the countries where required) |
| 3) 2 stroke oil tank plug | 10) Dashboard | |
| 4) Rider saddle | 11) Cold start lever | |
| 5) Saddle lock | 12) Rear brake fluid tank | |
| 6) Air cleaner | 13) Rear brake pump | |
| 7) Ignition switch/steering lock | 14) Rear brake control lever | |

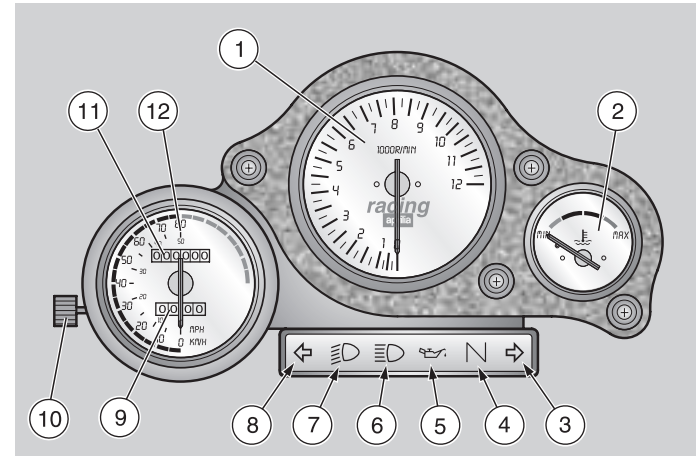
ARRANGEMENT OF THE INSTRUMENTS/CONTROLS



KEY

- 1) Ignition switch/steering lock (⊙ - ⊗ - ⊞)
- 2) Direction indicator switch (↔)
- 3) Horn push button (🔊)
- 4) Dimmer switch (⊲ - ⊳)
- 5) High beam signalling push button (⊲)
- 6) Clutch lever
- 7) Instruments and indicators
- 8) Front brake lever
- 9) Throttle grip
- 10) Start push button (⊞)
- 11) Engine stop switch (⊙ - ⊗)
- (in the countries where required)
- 12) Cold start lever (⌞)

INSTRUMENTS AND INDICATORS

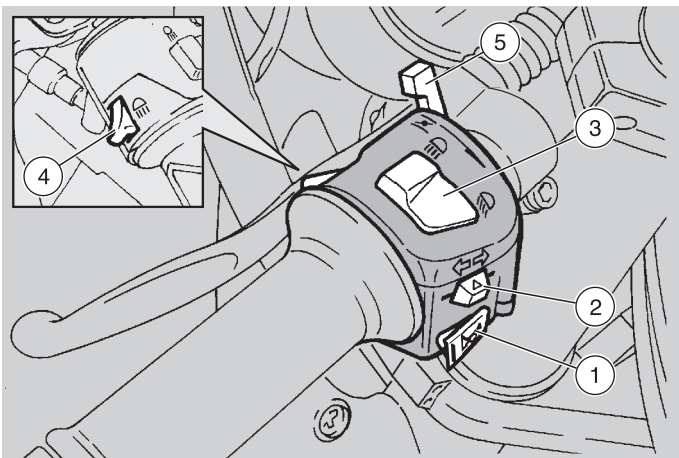


KEY

- 1) Revolution counter
- 2) Coolant temperature indicator (⊡)
- 3) Green right direction indicator warning light (↔)
- 4) Green neutral indicator warning light (N)
- 5) Red 2 stroke oil reserve warning light (🔥)
- 6) Blue high beam warning light (⊲)
- 7) Green low beam warning light (⊳)
- 8) Green left direction indicator warning light (↔)
- 9) Partial kilometres odometer
- 10) Odometer trip control
- 11) Total kilometres odometer
- 12) Speedometer
- 12) Speedometer - only km/h scale **AUS**

INSTRUMENTS AND INDICATORS TABLE

Description	Function
Right direction indicator warning light (⇒)	Blinks when the right direction indicator is on.
Left direction indicator warning light (⇐)	Blinks when the left direction indicator is on.
High beam warning light (≡▷)	Comes on when the headlight is in "high beam" position or when the high beam signalling is operated.
Low beam warning light (≡▷)	It comes on when the headlight is in low beam position.
Revolution counter (<i>rpm</i>)	Indicates the number of revolutions of the engine per minute.
Coolant temperature indicator (⤴)	<p>It indicates the approximate temperature of the coolant in the engine. When the pointer starts moving beyond the "min" level, the temperature is sufficient for driving the vehicle. The normal running temperature range is indicated by the central area of the scale. If the pointer reaches the red area, stop the engine and check the coolant level, see p. 28 (COOLANT).</p> <p>⚠ CAUTION If the maximum allowed temperature is exceeded (red area "max" of the scale), the engine may be seriously damaged.</p>
2 stroke oil reserve warning light (⤴)	<p>It comes on when the quantity of 2 stroke oil left in the tank is equal to 0.35 ℓ.</p> <p>⚠ CAUTION If the warning light comes on, this means that the 2 stroke oil reserve is being used; in this case, provide for topping up, see p. 25 (2 STROKE OIL TANK).</p>
Neutral indicator warning light (N)	Comes on when the gear is in neutral.
Partial kilometres odometer	It indicates the partial number of kilometres covered. To set it to zero, use the odometer trip control.
Odometer trip control	Rotate it anticlockwise to set the partial kilometres odometer to zero.
Total kilometres odometer	It indicates the total number of kilometres covered.
Speedometer	It indicates the driving speed.



MAIN INDEPENDENT CONTROLS

NOTE The electrical parts work only when the ignition switch is in position "O".

The lighting system works only when the engine is running.

CONTROLS ON THE LEFT PART OF THE HANDLEBAR

- 1) **HORN PUSH BUTTON** (🔊)
The horn is activated when the push button is pressed.
 - 2) **DIRECTION INDICATOR SWITCH** (↔)
To indicate the turn to the left, move the switch to the left; to indicate the turn to the right, move the switch to the right. To turn off the direction indicator, press the switch.
 - 3) **DIMMER SWITCH** (☞ - ☜)
When it is in position "☞" the parking lights, the dashboard light and the low beam are always on.
When it is in position "☜", the high beam comes on.
- NOTE** The lights can be switched off only by stopping the engine.
- 4) **HIGH BEAM SIGNALLING PUSH BUTTON** (☞☞)
It makes it possible to use the high beam for signalling to forthcoming vehicles while overtaking and in case of peril and/or emergency.
 - 5) **COLD START LEVER** (⌞)
The starter for the cold start of the engine is operated by rotating the lever "⌞" downwards. To disconnect the starter, move the lever "⌞" to its initial position.

CONTROLS ON THE RIGHT PART OF THE HANDLEBAR

- 1) ENGINE STOP SWITCH (○ - ☒)
(in the countries where required)

⚠ CAUTION

Do not operate the engine stop switch “○ - ☒” in running conditions.

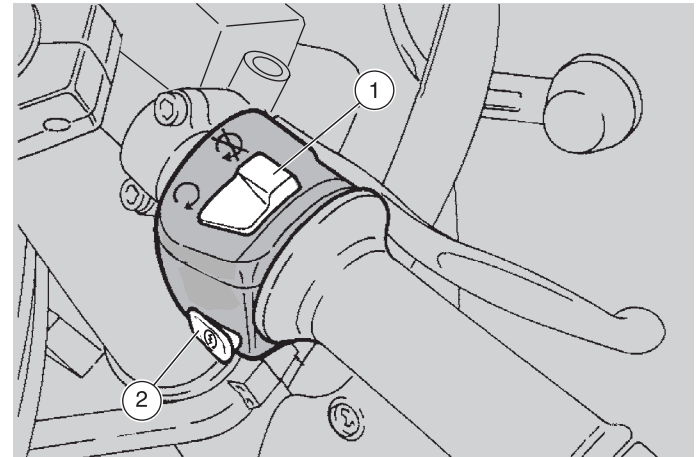
This is a safety or emergency switch. With the switch in position “○”, it is possible to start the engine; the engine can be stopped by moving the switch to position “☒”.

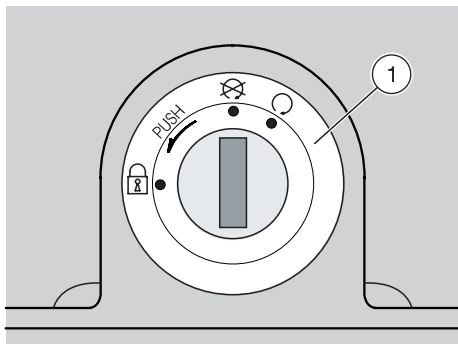
⚠ CAUTION

With stopped engine and ignition switch in position “○”, the battery may discharge.
When the vehicle has come to rest, after stopping the engine, move the ignition switch to position “☒”.

- 2) START PUSH BUTTON (Ⓢ)

When the start push button “Ⓢ” is pressed, the starter makes the engine run. For the starting, see p. 32 (STARTING).





IGNITION SWITCH

The ignition switch (1) is positioned on the upper plate of the steering column.

NOTE The key operates the ignition switch/steering lock, the saddle lock and the fuel tank lock.

Two keys are supplied together with the vehicle (one spare key).



STEERING LOCK




⚠ WARNING

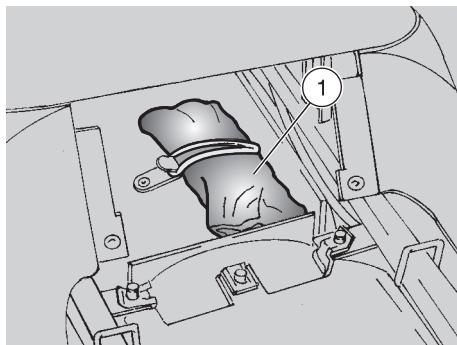
Never turn the key to position “⊗” in running conditions, in order to avoid losing control of the vehicle.

OPERATION

To lock the steering:

- ◆ Turn the handlebar completely leftwards (or rightwards).
- ◆ Turn the key to position “⊗”.
- ◆ Press the key and rotate it to position “⊗”.
- ◆ Extract the key.

Position	Function	Key removal
 Steering lock	The steering is locked. It is neither possible to start the engine, nor to switch on the lights.	It is possible to remove the key.
	Neither the engine, nor the lights can be switched on.	It is possible to remove the key.
	The engine and the lights can be switched on.	It is not possible to remove the key.



GLOVE/TOOL KIT COMPARTMENT

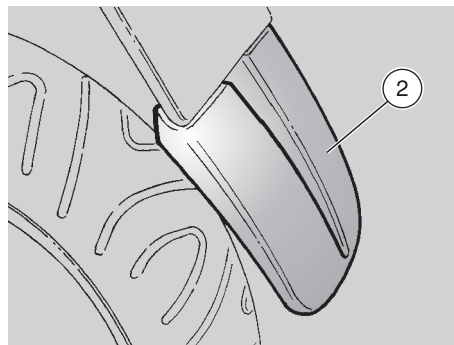
The glove/tool kit compartment is positioned under the rider saddle; to reach it:

- ◆ Remove the rider saddle, see p. 52 (REMOVING THE RIDER SADDLE).

The tool kit (1) includes:

- 3 mm, 4 mm, , 5 mm allen spanners
- 10-11 mm double fork spanner
- 21-22 mm spark plug socket spanner
- Double-ended, cross-/cut headscrew-driver
- Bent pin for socket spanner
- Tool case

Max. allowed weight: 1.5 kg

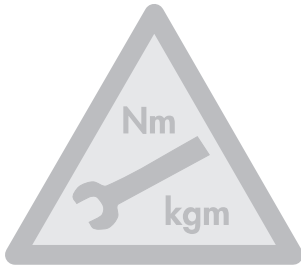


REAR MUDGUARD EXTENSION (in the countries where required)

The extension of the rear mudguard (2) is extremely useful when the road surface is wet, in fact it reduces the reach of the water spray caused by the rear wheel.

NOTE The rear mudguard extension (2) is supplied as standard component in the countries where this is required for the homologation.

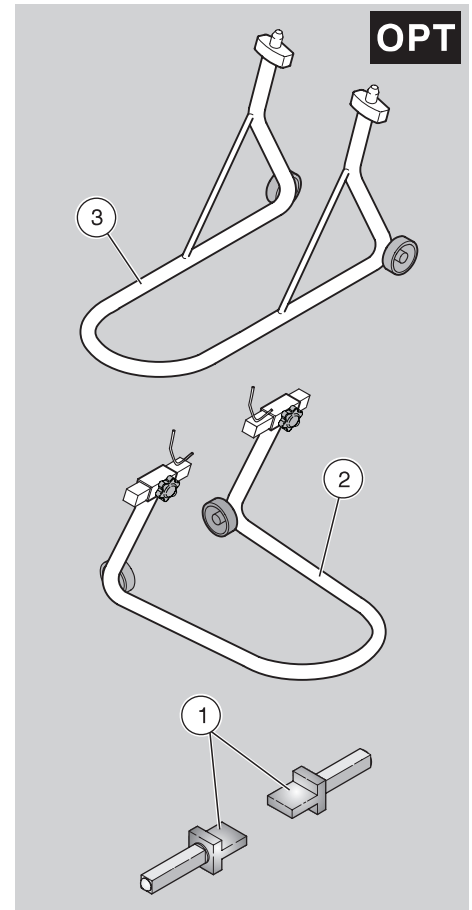




Tool	Operations	Page
Support pins (1) for the rear support stand.	Positioning of the vehicle on the rear stand.	43
Rear support stand (2)	Rear wheel disassembly. Drive chain adjustment.	47 50
Front support stand (3)	Front wheel disassembly.	46

SPECIAL TOOLS **OPT**

To perform some specific operations, it is advisable to use the following special tools (to be requested to an **aprilia** Official Dealer):



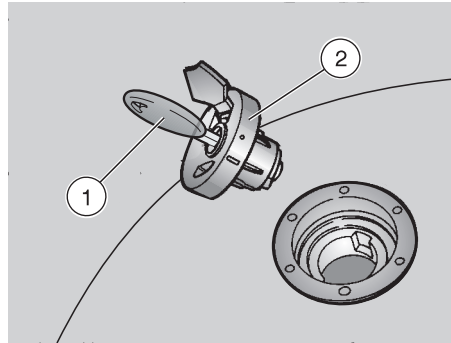
MAIN COMPONENTS

FUEL

⚠ WARNING

The fuel used for internal combustion engines is extremely inflammable and in particular conditions it can become explosive. It is important to carry out the refuelling and the maintenance operations in a well-ventilated area, with the engine off. Do not smoke while refuelling or near fuel vapours, in any case avoid any contact with naked flames, sparks and any other heat source to prevent the fuel from catching fire or from exploding. Further, prevent fuel from flowing out of the fuel filler, as it could catch fire when getting in contact with the red-hot surfaces of the engine. In case some fuel has accidentally been spilt, make sure that the area has completely dried and before starting the vehicle verify that there is no fuel inside the fuel filler neck.

Since petrol expands under the heat of the sun and due to the effects of sun radiation, never fill the tank to the brim. Screw the plug up carefully after refuelling. Avoid any contact of the fuel with the skin and the inhalation of vapours; do not swallow fuel or pour it from a receptacle into another by means of a tube.



DO NOT DISPOSE OF FUEL IN THE ENVIRONMENT.

KEEP AWAY FROM CHILDREN.

Use only leaded or unleaded premium grade petrol (4 Stars **UK**), min. O.N. 95 (N.O.R.M.) and 85 (N.O.M.M.).

⚙ A AUS Use only unleaded petrol, in conformity with the DIN 51607 standard, min. O.N. 95 (N.O.R.M.) and 85 (N.O.M.M.).

FUEL TANK CAPACITY
(reserve included): 13 ℓ

TANK RESERVE: 2.6 ℓ (mechanical reserve)

To refuel, proceed as follows:

- ◆ Insert the key (1) in the tank plug lock (2).
- ◆ Turn the key anticlockwise, pull and open the fuel flap.

TRANSMISSION OIL

Check the transmission oil level every 4000 km (2500 mi), see p. 44 (CHECKING THE TRANSMISSION OIL LEVEL AND TOPPING UP).

Change the transmission oil after the first 500 km (312 mi) and successively every 8000 km (5000 mi), see p. 45 (CHANGING THE TRANSMISSION OIL).

NOTE Use high-quality 75W-90 oil, see p. 75 (LUBRICANT CHART).

⚠ CAUTION

The oil can cause serious damage to the skin if handled every day and for long periods.

Wash your hands carefully after using the oil.

Do not dispose of the oil in the environment.

Put it in a sealed container and take it to the filling station where you usually buy it or to an oil salvage center.

In case any maintenance operation has to be carried out, it is advisable to use latex gloves.



BRAKE FLUID-recommendations

NOTE This vehicle is provided with front and rear disc brakes, with separate hydraulic circuits.

The following information refers to a single braking system, but is valid for both.

⚠ WARNING

Sudden resistance or clearance problems on the brake lever may be due to troubles in the hydraulic system. For any doubt regarding the perfect functioning of the braking system and in case you are not able to carry out the usual checking operations, contact your **aprilia Official Dealer.**

⚠ WARNING

Make sure that the brake discs are neither oily nor greasy, especially after maintenance or checking operations. Check that the brake cables are neither twisted nor worn out. Prevent water or dust from accidentally getting into the circuit.

In case maintenance operations are to be performed on the hydraulic circuit, it is advisable to use latex gloves.

If the brake fluid gets in contact with the skin or the eyes, it can cause serious irritations.

Carefully wash the parts of your body that get in contact with the liquid. Consult a doctor or an oculist if the liquid gets in contact with your eyes.

Do not dispose of the brake fluid in the environment.

KEEP AWAY FROM CHILDREN.

⚠ CAUTION

When using the brake fluid, take care not to spill it on the plastic or painted parts, since it can damage them.

DISC BRAKES

⚠ WARNING

The brakes are the parts that most ensure your safety and for this reason they must always be perfectly working; check them before every trip.

The brake fluid must be changed once a year by an **aprilia Official Dealer.**

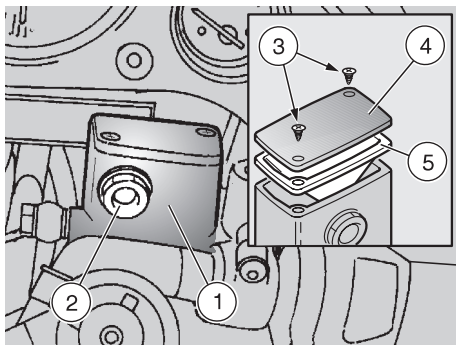
Use brake fluid of the type specified in the lubricant chart, see p. 75 (LUBRICANT CHART).

This vehicle is provided with front and rear hydraulic disc brakes. When the disc pads wear out, the level of the fluid decreases to automatically compensate for their wear.

The front brake fluid tank is positioned on the right part of the handlebar, near the front brake lever coupling.

The rear brake fluid tank is positioned under the upper part of the fairing, on the right side of the vehicle.

Periodically check the brake fluid level in the tanks, see p. 23 (FRONT BRAKE), p. 24 (REAR BRAKE) and the wear of the pads, see p. 56 (CHECKING THE BRAKE PAD WEAR).



FRONT BRAKE

CHECKING

NOTE Position the vehicle on firm and flat ground.

- ◆ Position the vehicle on the stand.
- ◆ Rotate the handlebar leftwards, so that the fluid contained in the reservoir is parallel to the reservoir edge (1).
- ◆ Make sure that the brake fluid contained in the tank covers the glass gauge (2) completely.
- ◆ If not, provide for topping up.

TOPPING UP

⚠ CAUTION

The brake fluid may flow out of the reservoir. Do not operate the brake lever if the screws (3) are loose or, most important, if the brake fluid tank cover has been removed.

- ◆ Unscrew the two screws (3).
- ◆ Remove the cover (4).

NOTE In order not to spill the brake fluid while topping up, keep the fluid in the reservoir parallel to the reservoir rim.

⚠ WARNING

Avoid any prolonged exposure of the brake fluid to the air.

The brake fluid is hygroscopic and when in contact with the air it absorbs its humidity.

Leave the brake fluid tank open **ONLY** for the time necessary for topping up.

- ◆ Remove the gasket (5).

⚠ CAUTION

When topping up, never exceed the “MAX” level.

It is advisable to top up until reaching the “MAX” level only with new pads.

When the disc pads wear out, the level of the fluid decreases progressively to compensate for their wear.

Do not reach the “MAX” level with worn out pads, since this will cause a fluid outflow when the pads are changed.

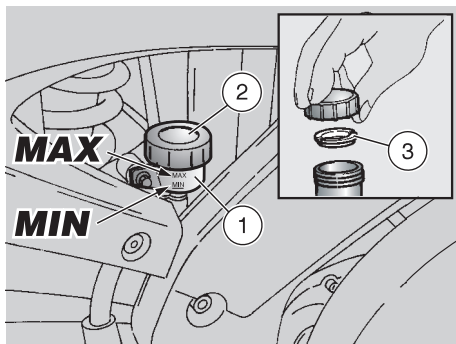
NOTE In order to reach the “MAX” level, top up until covering the glass (2) completely, with the brake fluid reservoir rim parallel to the ground.

- ◆ Fill the tank with brake fluid, see p. 75 (LUBRICANT CHART), until it covers the glass completely.
- ◆ Put back the gasket (5) in its seat correctly.
- ◆ Put back the cover (4).
- ◆ Screw and tighten the two screws (3).

⚠ CAUTION

Check the braking efficiency. If necessary, contact your **aprilia** Official Dealer.

In case of excessive stroke of the brake lever, of excessive elasticity or in case there is air in the circuit, contact your **aprilia** Official Dealer, since it may be necessary to bleed the system.



TOPPING UP

⚠ CAUTION

The brake fluid may flow out of the tank. Do not operate the rear brake lever if the brake fluid tank plug is loose or has been removed.

- ◆ Unscrew and remove the plug (2).

⚠ WARNING

Avoid any prolonged exposure of the brake fluid to the air. The brake fluid is hygroscopic and when in contact with the air it absorbs its humidity. Leave the brake fluid tank open **ONLY** for the time necessary for topping up.

NOTE In order not to spill the brake fluid while topping up, keep the fluid in the tank parallel to the tank rim (in horizontal position).

REAR BRAKE

CHECKING

NOTE Position the vehicle on firm and flat ground.

⚠ WARNING

Danger of fall or overturning. When the vehicle is straightened from the parking position to the driving position, the stand goes automatically up.

- ◆ Keep the vehicle in vertical position, so that the fluid contained in the tank (1) is parallel to the plug (2).
- ◆ Make sure that the fluid level exceeds the “MIN” mark.
- ◆ If the fluid does not reach the “MIN” mark, provide for topping up.

- ◆ Remove the gasket (3).
- ◆ By means of a syringe, top up the brake fluid tank (1), see p. 75 (LUBRICANT CHART) until reaching the correct level between the “MIN” and “MAX” marks.

⚠ CAUTION

It is advisable to top up until reaching the “MAX” level only with new pads. When the disc pads wear out, the level of the fluid decreases progressively to compensate for their wear. Do not reach the “MAX” level with worn out pads, since this will cause a fluid outflow when the pads are changed.

- ◆ To reassemble the components, follow the reverse order.

⚠ WARNING


Check the braking efficiency. If necessary, contact your aprilia Official Dealer.

In case of excessive stroke of the brake lever, of excessive elasticity or in case there is air in the circuit, contact your aprilia Official Dealer, since it may be necessary to bleed the system.

2 STROKE OIL TANK

Top up the 2 stroke oil tank every 500 km (312 mi).

The vehicle is provided with a separate mixer that ensures the mixing of petrol and oil for the engine lubrication, see p. 75 (LUBRICANT CHART).

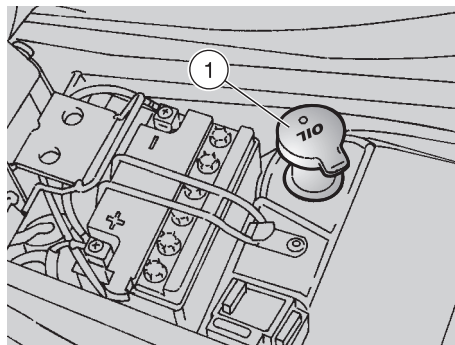
The 2 stroke oil reserve is indicated by the coming on of the 2 stroke oil reserve warning light “

CAUTION

The use of the vehicle without 2 stroke oil causes serious damages to the engine.

If you run out of oil in the 2 stroke oil tank or if the mixer oil pipe has been removed, contact an **aprilia Official Dealer, who will provide for bleeding the system.**

This operation is indispensable, since the running of the engine with air in the mixer oil system may result in serious damage to the engine.



To introduce the 2 stroke oil in the tank, proceed as follows:

- ◆ Remove the rider saddle, see p. 52 (REMOVING THE RIDER SADDLE).
- ◆ Remove the plug (1).

TANK CAPACITY: 1.6 ℓ

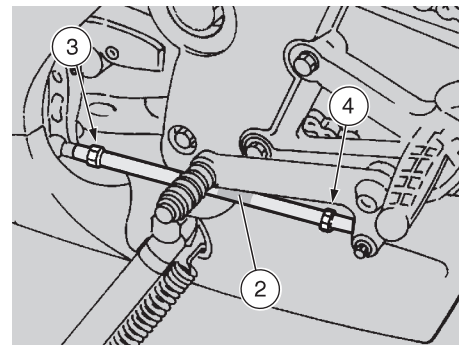
TANK RESERVE: 0.35 ℓ

CAUTION

Carefully wash your hands after handling the oil.

Do not dispose of the 2 stroke oil in the environment.

KEEP AWAY FROM CHILDREN.

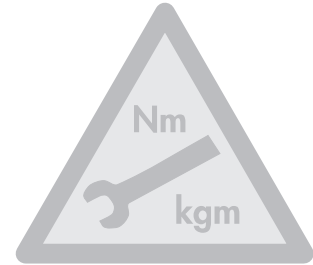
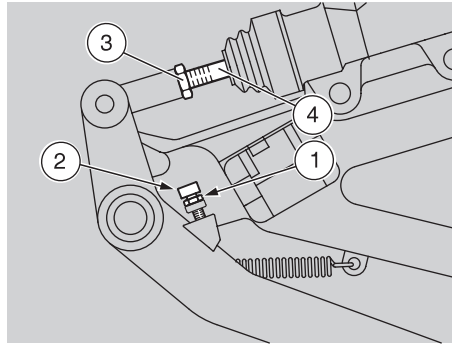
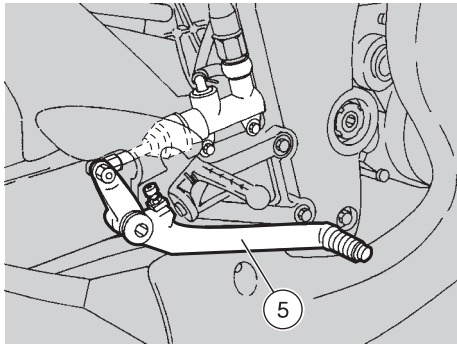


ADJUSTING THE SHIFTING LEVER

It is possible to adjust the position of the shifting lever by means of the rod (2), proceeding as follows:

- ◆ Loosen the nuts (3, 4).
- ◆ Rotate the rod and adjust the shifting lever height.
- ◆ Tighten the nuts (3, 4).

The gearshift lever pin is kept greased thanks to the appropriate slot.



ADJUSTING THE REAR BRAKE

The brake pedal is positioned ergonomically during the assembly of the vehicle. If necessary, it is possible to adjust the height of the brake pedal:

- ◆ Loosen the lock nut (1).
- ◆ Unscrew the brake adjuster (2) completely.
- ◆ Screw the lock nut (3) completely on the pump control rod (4).
- ◆ Screw the pump control rod (4) completely, then unscrew it by giving 3-4 turns.
- ◆ Screw the brake adjuster (2) until the brake pedal (5) reaches the desired height.
- ◆ Lock the brake adjuster (2) by means of the lock nut (1).
- ◆ Unscrew the pump control rod (4) and bring it in contact with the pump piston.
- ◆ Screw the rod in order to ensure a minimum clearance of $0.5 \div 1$ mm between the pump control rod (4) and the pump piston.

⚠ CAUTION

Make sure that there is a certain clearance between the brake adjuster and the point of contact, to prevent the brake from remaining operated and the consequent untimely wear of the braking elements.

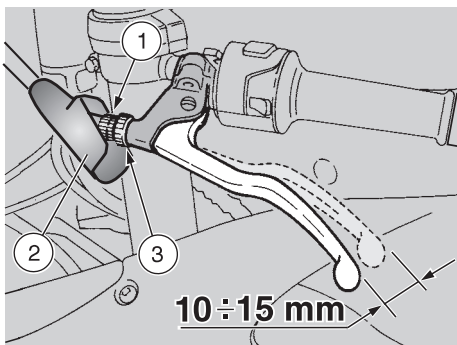
Clearance between brake adjuster and point of contact: $0.5 \div 1$ mm.

- ◆ Lock the pump control rod by means of the lock nut (3).

⚠ WARNING

Check the braking efficiency. If necessary, contact an **aprilia Official Dealer.**

After the adjustment, make sure that the wheel rotates freely with released brake.



ADJUSTING THE CLUTCH

Adjust the clutch and if the engine stops or tends to advance when the clutch lever is pulled and the gears are engaged, or if the clutch slips causing a delay in the acceleration in comparison with the engine speed.

Minor adjustments can be carried out by means of the adjuster (1):

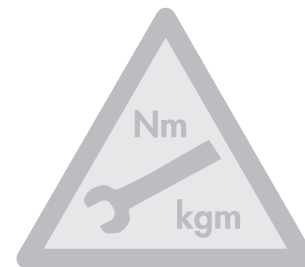
- ◆ Withdraw the protection element (2).
- ◆ Loosen the nut (3) (by screwing it).
- ◆ Rotate the adjuster (1), until the idle stroke at the end of the clutch lever is about 10÷15 mm (see figure).
- ◆ Tighten the nut (3) (by unscrewing it) and lock the adjuster (1).
- ◆ Check the idle stroke at the end of the clutch lever.
- ◆ Put back the protection element (2).

⚠ WARNING

If it is not possible to obtain a correct adjustment or if the clutch does not function properly, contact your Aprilia Official Dealer.

NOTE Make sure that the clutch cable is intact: the inner cable and outer sheath must not be worn or flattened at any point.

- ◆ Periodically lubricate the clutch cable with a suitable lubricant, see p. 75 (LUBRICANT CHART), in order to avoid its untimely wear and corrosion.



COOLANT

CAUTION

Do not use the vehicle if the coolant is below the minimum prescribed level.

Check the coolant level every 2000 km (1250 mi) and after long rides; change it every 24 months.

WARNING

The coolant is noxious: do not swallow it; if the coolant gets in contact with the skin or the eyes, it can cause serious irritations.

If the coolant gets in contact with your skin or eyes, rinse with plenty of water and consult a doctor. If it is swallowed, induce vomit, rinse mouth and throat with plenty of water and consult a doctor without delay.

DO NOT DISPOSE OF THE BRAKE FLUID IN THE ENVIRONMENT.

KEEP AWAY FROM CHILDREN.

Be careful not to spill the coolant on the red-hot parts of the engine: it may catch fire and send out invisible flames.

In case maintenance operations are to be performed, it is advisable to use latex gloves.

Have the coolant changed by an **aprilia Official Dealer.**

The coolant is made up of 50% water and 50% antifreeze.

This mixture is ideal for most running temperatures and ensures good protection against corrosion.

It is advisable to keep the same mixture also in the hot season, since in this way losses due to evaporation are reduced and it is not necessary to top up very frequently.

The mineral salt deposits left in the radiator by evaporated water are thus reduced and the efficiency of the cooling system remains unchanged.

If the outdoor temperature is below 0°, check the cooling circuit frequently and if necessary increase the antifreeze concentration (up to maximum 60%).

For the cooling solution use distilled water, in order not to damage the engine.

WARNING

Do not remove the filling plug (1) when the engine is hot, since the coolant is under pressure and its temperature is high.

CHECKING AND TOPPING UP

WARNING

Check the coolant level and top up the expansion tank with cold engine.

◆ Stop the engine and wait until it has cooled down.

NOTE Position the vehicle on firm and flat ground.

WARNING

Danger of fall or overturning.

When the vehicle is straightened from the parking position to the driving position, the stand goes automatically up.

- ◆ Keep the vehicle in vertical position, with the two wheels resting on the ground.
- ◆ Loosen the filling plug (1) (by giving it two anticlockwise turns), without removing it.
- ◆ Wait a few seconds in order to release any residual pressure.

NOTE A breather pipe (2) is connected to the plug (1). Neither force, nor disconnect the breather pipe (2).

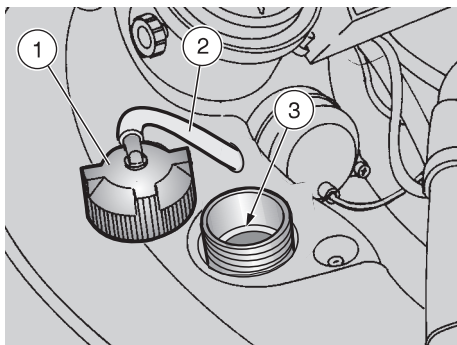
- ◆ Unscrew and remove the plug (1).

WARNING

The coolant is noxious: do not swallow it; if the coolant gets in contact with the skin or the eyes, it can cause serious irritations.

Do not use your fingers or any other object to check if there is enough coolant.

- ◆ The seat of the plug (1) is characterized by a diameter reduction (3): visually check if the coolant reaches this reduction point.



Otherwise:

- ◆ Top up with coolant, see p. 75 (LUBRICANT CHART) until the coolant level approximately reaches the diameter reduction point (3). Do not exceed this level, otherwise the coolant will flow out while the engine is running.
- ◆ Put back the filling plug (1).

⚠ CAUTION

In case of excessive consumption of coolant and in case the tank remains empty, make sure that there are no leaks in the circuit.

Have it repaired by an **aprilia** Official Dealer.

TYRES

This vehicle is provided with tubeless tyres.

⚠ WARNING

Periodically check the tyre inflation pressure at room temperature, see p. 72 (TECHNICAL DATA).

If the tyres are hot, the measurement is not correct.

Carry out the measurement especially before and after long rides.

If the inflation pressure is too high, the ground unevenness cannot be dampened and is therefore transmitted to the handlebar, thus compromising the driving comfort and reducing the road holding during turns.

If, on the contrary, the inflation pressure is too low, the tyre sides are under greater stress and the tyre itself may slip on the rim or it may become loose, with consequent loss of control of the vehicle.

In case of sudden braking the tyres could even get out of the rims. Further, the vehicle could skid while turning.

Check the surface and the wear of the tyres, since tyres in bad conditions can impair both the grip and the controllability of the vehicle.

Change the tyre when it is worn out or in case of puncture on the tread side, if the puncture is larger than 5 mm.

After repairing a tyre, have the wheels balanced. Use only tyres in the size suggested by aprilia, see p. 72 (TECHNICAL DATA).

Make sure that the tyres always have their valve sealing caps on, to prevent them from suddenly going flat.

Change, repair, maintenance and balancing operations are very important and should be carried out by qualified technicians with appropriate tools.

For this reason, it is advisable to have the above mentioned operations carried out by an **aprilia** Official Dealer or by a qualified tyre repairer.

If the tyres are new, they may still be covered with a slippery film: drive carefully for the first miles. Do not oil the tyres with unsuitable fluids.

If the tyres are old, even if not completely worn out, they may become hard and may not ensure good road holding.

In this case, replace them.

MINIMUM TREAD DEPTH LIMIT

front: 2 mm
 rear: 2 mm

 WARNING

Avoid parking the vehicle catalytic version near dry brush wood or in places easily accessible to children, as the catalytic silencer becomes extremely hot during use; be very careful and avoid any kind of contact before it has completely cooled down.

The catalytic vehicle is fitted with a silencer with metal catalytic converter of the “platinum-rhodium bivalent” type.

This device provides for the oxidation of the CO (carbon monoxide) and of the HC (unburned hydrocarbons) contained in the exhaust gases, changing them into carbon dioxide and steam, respectively.

 CAUTION

Do not use leaded petrol, since it causes the destruction of the catalytic converter.

 WARNING

Tampering with noise control system prohibited.

Owner's are warned that the law may prohibit:

- ◆ The removal or rendering inoperative by any person other than for purposes of maintenance, repair or replacement, of any device or element of design incorporated into any new vehicle for the purpose of noise control prior to its sale or delivery to the ultimate purchaser or while it is in use; and
- ◆ The use of the vehicle after such device or element of design has been removed or rendered inoperative by any person.

Check the exhaust silencer and the silencer pipes, making sure that there are neither signs of rust, nor holes and that the exhaust system can work effectively.

If the noise produced by the exhaust system increases, immediately contact your **aprilia** Official Dealer.

INSTRUCTIONS FOR USE

WARNING

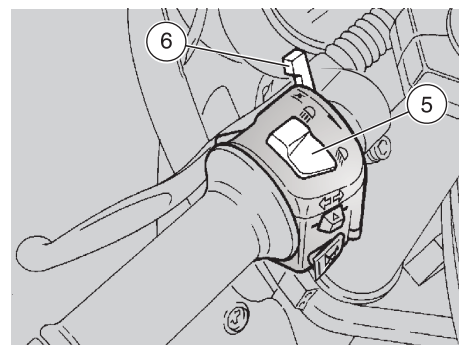
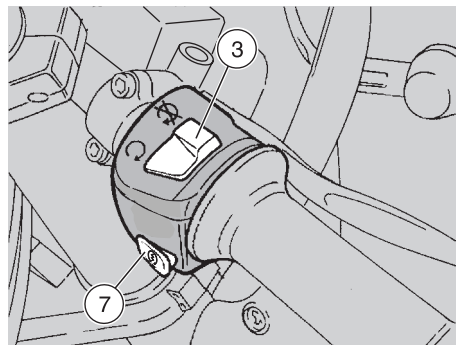
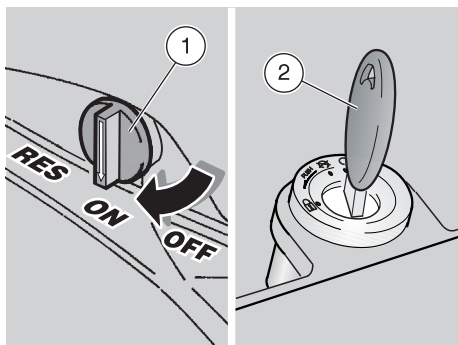
Before departure, always carry out a preliminary checking of the vehicle to make sure that it functions correctly and safely, see the following table (PRELIMINARY CHECKING OPERATIONS). The non-performance of these checking operations can cause severe personal injuries or damages to the vehicle.

Do not hesitate to consult your **aprilia** Official Dealer in case there is something you do not understand about the functioning of some controls or in case you suspect or discover some irregularities.

It does not take long to carry out a check-up and this operation ensures you much more safety.

PRELIMINARY CHECKING OPERATIONS

Component	Check	Page
Front and rear disc brakes	Check the functioning, the idle stroke of the control levers, the fluid level and make sure there are no leaks. Check the wear of the pads. If necessary, top up the brake fluid tank.	22, 23 24, 56
Accelerator	Make sure that it works smoothly and that it is possible to open and close it completely, in all steering positions. If necessary, adjust and/or lubricate it.	57
2 stroke oil/ transmission oil	Check and/or top up if necessary.	25, 44, 45
Wheel/tyres	Check the tyre surface, the inflation pressure, wear and tear and any damage.	29
Brake levers	Make sure that they work smoothly. If necessary, lubricate the articulations and adjust the stroke.	26
Steering	Make sure that the steering rotates smoothly, without any clearance or slackening.	-
Clutch	The idle stroke at the end of the clutch lever must be about 10÷15 mm; the clutch must operate without jerking and/or slipping.	27
Side stand	Make sure that it works smoothly and that the spring tension brings it back to its normal position. If necessary, lubricate joints and hinges.	64
Fastening elements	Make sure that the fastening elements are not loose. If necessary, adjust or tighten them.	-
Drive chain	Check the slack.	50, 51
Fuel tank	Check the fuel level and top up, if necessary. Make sure there are no leaks or air bubbles in the circuit.	21, 53, 69
Coolant	With cold engine, visually check if the coolant reaches the prescribed level.	28, 29
Lights, warning lights, horn and electric devices	Check the proper functioning of the acoustic and visual devices. Change the bulbs or intervene in case of failure.	59÷68



STARTING

⚠ WARNING

Exhaust gases contain carbon monoxide, which is extremely noxious if inhaled.

Avoid starting the engine in closed or badly-ventilated rooms.

The non-observance of this warning may cause loss of consciousness or even lead to death by asphyxia.

⚠ WARNING

Danger of fall or overturning. When the vehicle is straightened from the parking position to the driving position, the stand goes automatically up.

- ◆ Get on the vehicle.
- ◆ Move the fuel tap lever (1) to position "ON".

- ◆ Rotate the key (2) and move the ignition switch to position "O".
- ◆ Lock at least one wheel, by pulling a brake lever.
- ◆ Position the shifting lever in neutral (green warning light "N" on).
- ◆ Move the engine stop switch (3) to position "O", (in the countries where required).
- ◆ Make sure that the dimmer switch (5) is in position "D".
- ◆ If the vehicle is started with cold engine, rotate the cold start lever (6) downwards.

NOTE To avoid excessive consumption of the battery, do not keep the start push button "S" (7) pressed for more than fifteen seconds. If the engine does not start in this lapse of time, wait ten seconds and press the start push button "S" again.

- ◆ Press the start push button "S" (7) without accelerating and release it as soon

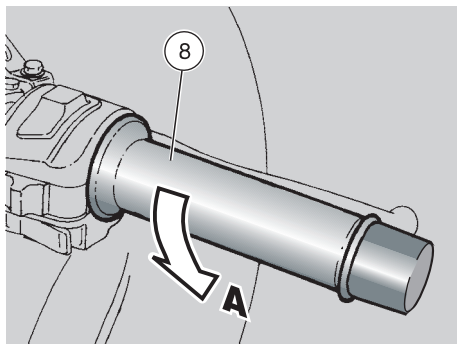
as the engine starts.

⚠ CAUTION

If the 2 stroke oil warning light "⚡" comes on, this means that the 2 stroke oil reserve is being used; in this case, provide for topping up, see p. 25 (2 STROKE OIL TANK).

⚠ CAUTION

Avoid pressing the start push button "S" (7) when the engine is running, since you may damage the starter.



- ◆ Keep at least one brake lever pulled and do not accelerate until you start.

⚠ CAUTION

Never leave abruptly with cold engine. To reduce the emission of polluting substances and the consumption of fuel, warm the engine up by proceeding at low speed for the first miles.

With warm engine:

- ◆ Rotate the cold start lever “|↘|” (6) upwards after the engine has warmed up.

STARTING WITH FLOODED ENGINE

If the starting is not carried out properly or if there is too much fuel in the intake ducts and in the carburettor, the engine may get flooded.

To clean a flooded engine:

- ◆ Press the start push button “⊗” (7) for a few seconds (letting the engine spin over) with completely (8) open throttle (**Pos. A**).

STARTING WITH COLD ENGINE

When the room temperature is low (about 0°C), it may be difficult to start the engine at the first attempt.

In this case:

- ◆ Rotate the cold start lever (6) downwards.
- ◆ Press the start button “⊗” (7) for at least ten seconds and at the same time rotate the throttle grip slightly (8).

If the engine starts.

- ◆ Release the throttle grip (8).
 - ◆ Rotate the cold start lever “|↘|” (6) upwards.
- If the idling is unstable, twist the throttle grip (8) slightly and frequently.

If the engine does not start.

Wait for a few seconds and then repeat the starting procedure.

STARTING AFTER A LONG PERIOD OF INACTIVITY

After a long period of inactivity, make the starter run for about ten seconds without accelerating, in order to ensure the filling of the float chamber.

To start the engine, slightly open the throttle and carry out the starting procedure.

DEPARTURE AND DRIVE

⚠ WARNING

Do not position any object inside the front part of the fairing (between the handlebar and the dashboard), in order not to hinder the rotation of the handlebar and visibility toward the dashboard.

NOTE Before departure, carefully read the “safe drive” chapter, see p. 5 (SAFE DRIVE).

If you run out of the “standard” fuel quantity while riding, move the fuel tap lever (1) to position “RES”, in order to use the fuel reserve.

FUEL RESERVE: 2.6 ℓ (mechanical reserve).

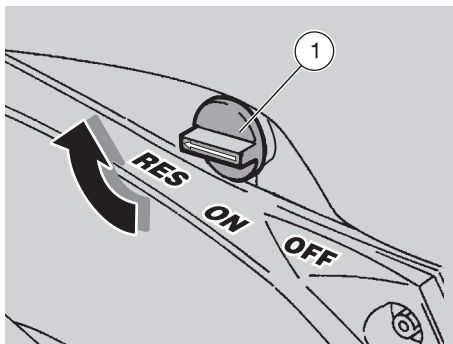
⚠ WARNING

Any mention to the use of the vehicle with passenger is to be intended as referred only to the countries where this is allowed.

If you drive without passenger, make sure that the passenger footrests are folded.

While riding, keep your hands on the grips and your feet on the footrests.

NEVER RIDE IN ANY POSITION OTHER THAN THOSE INDICATED.



If you drive with a passenger, instruct him/her so that he/she does not create problems during manouvres.

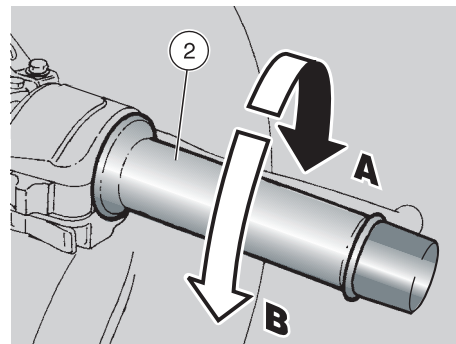
To leave:

- ◆ Adjust the inclination of the rear-view mirrors correctly.

⚠ WARNING

With the vehicle at rest, try to get acquainted with the use of the rear-view mirrors. The reflecting surface is convex, therefore the objects seem to be farther away than they actually are. These mirrors offer a “wide-angle” view and only experience will allow you to evaluate the distance of the following vehicles correctly.

- ◆ Ride at reduced speed for the first miles, in order to warm the engine up.

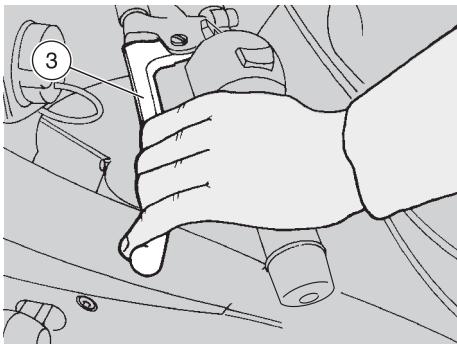


- ◆ With released throttle grip (2) (Pos. A) and engine idling, pull the clutch lever (3) completely.
- ◆ Engage the first gear, by pressing the shifting lever (4) downwards.
- ◆ Release the brake lever (pulled on the starting).

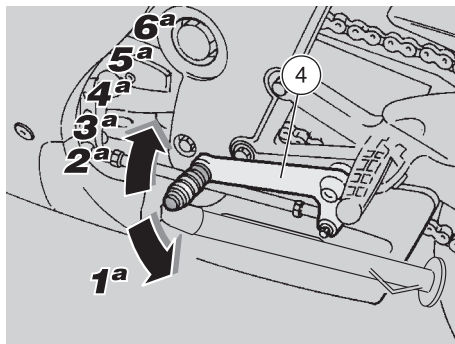
⚠ WARNING

On departure, the abrupt release of the clutch lever may cause the engine to stall or the vehicle to jerk forwards.

Never accelerate abruptly or excessively when releasing the clutch lever, in order to prevent the clutch from “slipping” (slow release) or the front wheel from raising “rearing up” (quick release).



- ◆ Slowly release the clutch lever (3) and at the same time accelerate by rotating the throttle grip moderately (2) (**Pos. B**). The vehicle will start moving.
- ◆ Increase the speed by gradually rotating the throttle grip (2) (**Pos. B**), without exceeding the recommended rpm, see p. 37 (RUNNING-IN).




To engage the second gear:

⚠ CAUTION

Proceed quickly.
Never ride the vehicle at too low rpm.

- ◆ Release the throttle grip (2) (**Pos. A**), pull the clutch lever (3) and lift the shifting lever (4). Release the clutch lever (3) and accelerate.
- ◆ Repeat the last two operations and shift up.

⚠ CAUTION

If the 2 stroke oil warning light “” comes on, this means that the 2 stroke oil reserve is being used; in this case, provide for topping up, see p. 25 (2 STROKE OIL TANK).

The downshifting should be carried out in the following situations:

- ◆ When riding downhill or when braking, in order to increase the braking action by using the compression of the engine.
- ◆ When riding uphill, if the gear engaged is not suitable to the speed (high gear, moderate speed) and the engine rpm decreases.

⚠ CAUTION

Shift the gears one by one; the simultaneous downshifting of more than one gear may make you exceed the maximum rpm (red line).

Before and during the downshifting, release the throttle grip and decelerate, in order to avoid the “red line”.

To shift down, proceed as follows:

- ◆ Release the throttle grip (2) (**Pos. A**).
- ◆ If necessary, pull the brake levers moderately and decrease the speed of the vehicle.
- ◆ Pull the clutch lever (3) and lower the shifting lever (4) to shift down.
- ◆ If the brake levers are pulled, release them.
- ◆ Release the clutch lever and accelerate moderately.

⚠ WARNING

Avoid opening and closing the throttle grip repeatedly and continuously, so that you do not accidentally lose control of the vehicle.

If you have to brake, close the throttle and put on both brakes in order to obtain uniform deceleration, properly exerting pressure on the braking parts.

By putting on the front brake only or the rear brake only, you reduce the braking force considerably, thus running the risk of locking one wheel and consequently losing grip.

If you stop uphill, decelerate completely and use the brakes only to keep the vehicle steady.
The use of the engine to keep the vehicle steady may cause the overheating of the clutch.

⚠ WARNING

Before beginning to turn, slow down or brake driving at moderate and constant speed or accelerating slightly; avoid braking at the last moment: it would be very easy to skid.

If the brakes are operated continuously on downhill stretches, the friction surfaces may overheat, thus reducing the braking efficiency.

Exploit the engine compression and shift down by putting on both brakes intermittently.

Never drive downhill with the engine off!

In case of wet ground or scarce wheel grip (snow, ice, mud, etc.), drive slowly, avoiding sudden brakings or manoeuvres that could make you lose grip and fall down.

⚠ WARNING

Pay the utmost attention to any obstacle or variation of the ground. Uneven roads, rails, manhole covers, indications painted on the road surface, building site metal plates become rather slippery by rain. For this reason all these obstacles have to be carefully avoided, driving smoothly and bending the vehicle as little as possible.

Always use the turn indicators in time when you intend to change lane or direction, avoiding sharp and dangerous movements.

Switch off the direction indicators as soon as you have changed direction.

Be extremely careful when you overtake other vehicles or are overtaken.

In case of rain, the water cloud created by big vehicles reduces visibility; the air shift may make you lose control of the vehicle.

RUNNING-IN

⚠ WARNING

After the first 500 km (312 mi), carry out the checking operations indicated in the column "After running-in" of the **REGULAR SERVICE INTERVALS CHART**, see p. 40, in order to avoid hurting yourself or other people and/or damaging the vehicle.

The running-in of the engine is primary to ensure its correct functioning and its correct functioning. If possible, drive on hilly roads and/or roads with many bends, so that the engine, the suspensions and the brakes undergo a more effective running-in.

For the first 500 km (312 mi), keep to the following indications:

0-100 km (0-62 mi)

During the first 100 km (62 mi) put on the brakes with caution, avoiding sharp and prolonged brakings.

This ensures a correct bedding-in of the pads on the brake disc.

0-300 km (0-187 mi)

Do not keep the throttle grip open more than one half for long stretches.

300-500 km (187-312 mi)

Do not keep the throttle grip open more than three-fourths for long stretches.

STOPPING

⚠ WARNING

If possible, avoid stopping abruptly, slowing down suddenly and braking at the last moment.

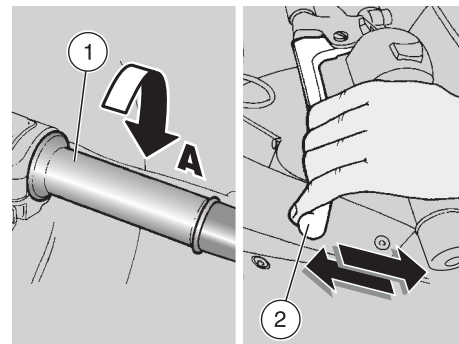
- ◆ Release the throttle grip (1) (Pos. A), gradually put on the brakes and at the same time shift down in order to decrease the speed, see p. 34 (DEPARTURE AND DRIVE).

Once the speed has decreased, before stopping the vehicle:

- ◆ Pull the clutch lever (2) in order to prevent the stopping of the engine.

When the vehicle has come to rest:

- ◆ Position the shifting lever in neutral (green warning light "N" on).
- ◆ Release the clutch lever.
- ◆ In case of a brief stop, keep at least one brake on.



PARKING

⚠ WARNING

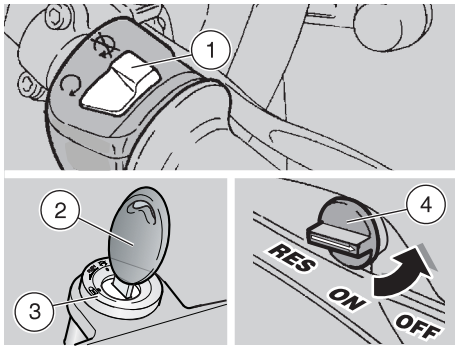
Park the vehicle on firm and flat ground, to prevent it from falling down.

Neither lean the vehicle against walls, nor lay it on the ground.

Make sure that the vehicle and especially its red-hot parts do not represent a danger for persons and children.

Do not leave the vehicle unattended when the engine is on or the key is inserted into the ignition switch.

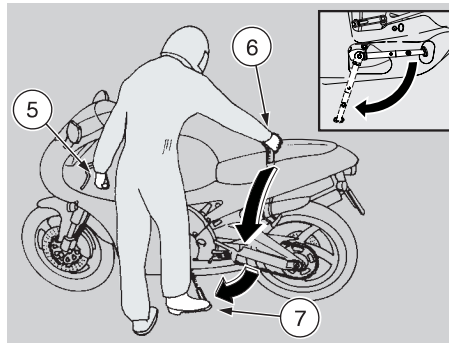
Do not sit on the vehicle when the stand is down.



- ◆ Stop the vehicle, see p. 37 (STOPPING).
- ◆ Move the engine stop switch (1) to position “⊗”, (in the countries where required).
- ◆ Rotate the key (2) and move the ignition switch (3) to position “⊗”.
- ◆ Move the fuel tap lever (4) to position “OFF”.
- ◆ Position the vehicle on the stand, see beside (POSITIONING THE VEHICLE ON THE STAND).

NOTE Never leave the key in the ignition switch.

- ◆ Lock the steering, see p. 18 (STEERING LOCK) and extract the key.



POSITIONING THE VEHICLE ON THE STAND

- ◆ Seize the left grip (5) and the passenger grab strap (6).

⚠ WARNING

Danger of fall or overturning.
When the vehicle is straightened from the parking position to the driving position, the stand goes automatically up.

- ◆ Press the side stand with your right foot and extend it completely (7).
- ◆ Incline the vehicle until the stand rests on the ground.
- ◆ Steer the handlebar completely leftwards.

⚠ WARNING

Make sure that the vehicle is stable.

SUGGESTIONS TO PREVENT THEFT

⚠ CAUTION

Do not use any “brake lock” devices. Failure to heed this warning can seriously damage the braking system and lead to an accident thus provoking serious injuries or death.

NEVER leave the ignition key inserted and always use the steering lock. Park the vehicle in a safe place, possibly in a garage or a protected place. When possible, use an additional anti-theft device. Make sure that all documents are in order and the road tax has been paid. Write down your personal data and telephone number in this page, to facilitate the identification of the owner in case of finding after theft.

SURNAME:

NAME:

ADDRESS:

.....

TELEPHONE NO.:

NOTE Very often stolen vehicles are identified thanks to the data written in the use/maintenance manual.

**⚠ WARNING**

Risk of fire.
Keep fuel and other flammable substances away from the electrical components.

Before beginning any service operations or inspection of the vehicle, switch off the engine and remove the key, wait until the engine and the exhaust system have cooled down and, if possible, lift the vehicles with the proper equipment onto firm and flat ground.

Before proceeding, make sure that the room in which you are working is properly ventilated.

Keep away from the red-hot parts of the engine and of the exhaust system, in order to avoid burns.

**⚠ WARNING**

Do not hold any mechanical piece or other parts of the vehicle with your mouth: the components are not edible and some of them are noxious or even toxic.

⚠ CAUTION

If not expressly indicated otherwise, for the reassembly of the units repeat the disassembly operations in reverse order.

In case any maintenance operation should be required, it is advisable to use latex gloves.



Routine maintenance operations can usually be carried out by the user, but sometimes specific tools and specific technical skills may be required.

In case periodic maintenance operations, assistance or technical advice are needed, contact an **aprilia** Official Dealer, who will ensure you prompt and accurate servicing.

Ask your **aprilia** Official Dealer to test the vehicle on the road after a repair or periodic maintenance operation.

In any case, personally carry out the “Preliminary checking operations” after any maintenance operation, see p. 31 (PRELIMINARY CHECKING OPERATIONS).

Routine maintenance operations can usually be carried out by the user, but sometimes specific tools and specific technical skills may be required.

REGULAR SERVICE INTERVALS CHART

OPERATIONS TO BE CARRIED OUT BY THE **aprilia** Official Dealer (WHICH CAN BE CARRIED OUT EVEN BY THE USER).

Key

- ① = check and clean, adjust, lubricate or change, if necessary;
- ② = clean;
- ③ = change;
- ④ = adjust.

NOTE Carry out the maintenance operations more frequently if you use the vehicle in rainy and dusty areas or on uneven ground.

Component	After running-in [500 km (312 mi)]	Every 4000 km (2500 mi) or 12 months	Every 8000 km (5000 mi) or 24 months
Battery - Terminal fastening - Electrolyte level	①	①	–
Spark plug	②	every 1000 km (625 mi): ② / every 3000 km (1875 mi): ③	
Air cleaner	①	②	–
Clutch clearance	④	④	–
Light system	①	①	–
Brake fluid	–	①	–
Coolant	every 2000 km (1250 mi): ①		
Mixer oil level	every 500 km (312 mi): ①		
Transmission oil	③	①	③
Headlight beam direction - operation	–	①	–
Engine idling rpm	④	①	–
Wheels/tyres and inflation pressure	every month: ①		
Drive chain tension and lubrication	every 500 km: ①		
Front and rear brake pad wear	①	every 2000 km (1250 mi): ①	

OPERATIONS TO BE CARRIED OUT BY THE *aprilia* Official Dealer.

Key

① = check and clean, adjust, lubricate or change, if necessary;

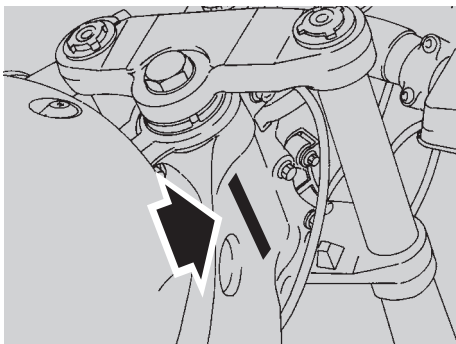
② = clean;

③ = change;

④ = adjust.

NOTE Carry out the maintenance operations more frequently if you use the vehicle in rainy and dusty areas or on uneven ground.

Component	After running-in [500 km (312 mi)]	Every 4000 km (2500 mi) or 12 months	Every 8000 km (5000 mi) or 24 months
Rear shock absorber	–	–	①
Carburettor	–	–	②
Idle mixture (CO rate)	–	①	–
Transmission cables and controls	①	①	–
Wheel centering	–	①	–
Steering tube bearings and steering slack	①	①	–
Wheel bearings	–	①	–
Brake discs	①	①	–
Mixer oil filter	–	–	②
General running of the vehicle	①	①	–
Braking systems	①	①	–
Cooling system	①	①	–
Brake fluid	every year: ③		
Coolant	every 2 years: ③		
Exhaust silencer/exhaust terminal	–	②	–
Fork oil and oil seal	every 12000 km (7500 mi): ③		
Piston and piston rings	after the first 8000 km (5000 mi): ① / every 16000 km (10000 mi): ③		
Wheels/tyres and inflation pressure	①	①	–
Nut, bolt, screw tightening	①	①	–
Mixer oil reserve warning light LED	①	①	–
Final transmission (chain, crown, pinion)	–	①	–
Fuel pipe	–	①	every 4 years: ③
Mixer oil pipes	–	①	every 4 years: ③
Clutch wear	–	①	–



IDENTIFICATION DATA

It is a good rule to write down the frame and engine numbers in the space provided in this manual.

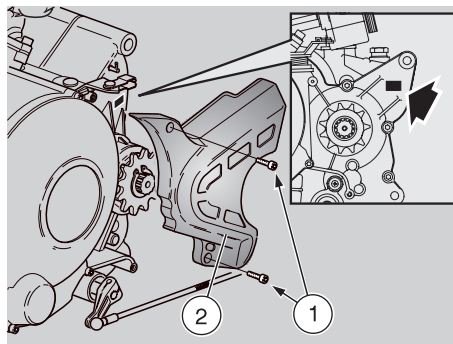
The frame number can be used for the purchase of spare parts.

NOTE Do not alter the identification numbers if you do not want to incur severe penal and administrative sanctions. In particular, the alteration of the frame number results in the immediate invalidity of the guarantee.

FRAME NUMBER

The frame number is stamped on the right side of the steering column.

Frame no. _____



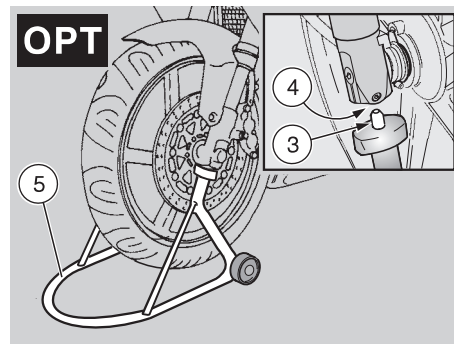
ENGINE NUMBER (in the countries where required)

The engine number is stamped on the upper part of the crankcase, on the left side, near the chain pinion.

To reach it, proceed as follows:

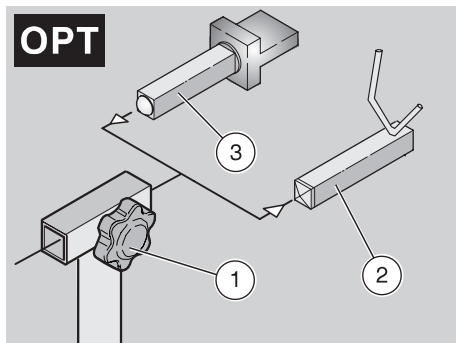
- ◆ Remove the left fairing, see p. 52 (REMOVING THE SIDE FAIRINGS).
- ◆ Unscrew and remove the two screws (1).
- ◆ Remove the pinion cover (2).

Engine no. _____



POSITIONING THE VEHICLE ON THE FRONT SUPPORT STAND **OPT**

- ◆ Position the vehicle on the appropriate rear support stand **OPT**, see p. 43 (POSITIONING THE VEHICLE ON THE REAR SUPPORT STAND **OPT**).
- ◆ Insert the two ends of the stand (3) in the two holes (4) positioned on the lower ends of the front fork.
- ◆ Rest one foot on the front part of the stand (5).
- ◆ Push the stand (5) downwards until it reaches the end of its stroke (see figure).



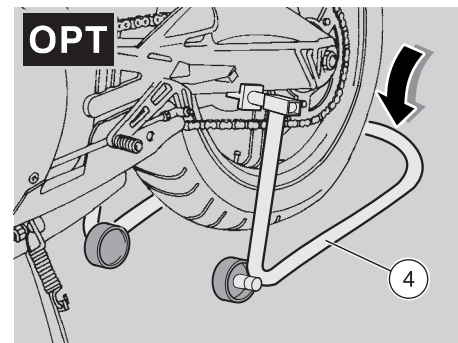
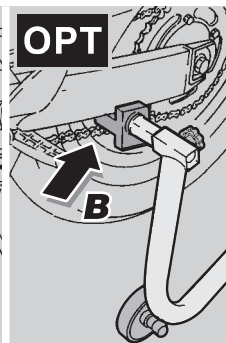
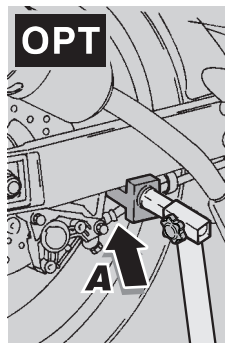
POSITIONING THE VEHICLE ON THE REAR SUPPORT STAND OPT

- ◆ Loosen the knob (1).
- ◆ Withdraw the fork support (2) and extract it from the stand seat.
- ◆ Insert the support pin (3).
- ◆ Repeat the previous operations on the opposite side of the stand.

⚠ WARNING

Raise the vehicle by means of the two rear fork arms only.

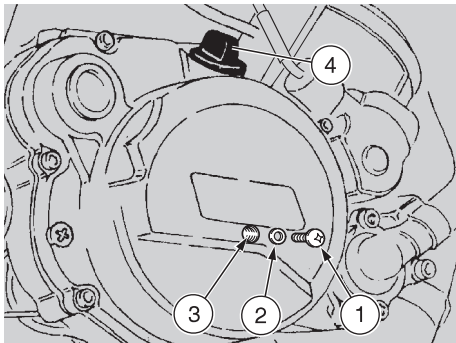
- ◆ Insert the stand from the back of the vehicle and position it so that the two support pins (3) can be housed as follows:
 - the right support between brake caliper and brake pipe coupling on the rear fork (**Pos. A**);
 - the left support between gearwheel and chain (**Pos. B**).



- ◆ Withdraw the support pins (3) and make them hit against the rear fork.
- ◆ Tighten the two knobs (1).

NOTE Have someone help you keep the vehicle in vertical position with the two wheels on the ground.

- ◆ Rest one foot on the rear part of the stand (4).
- ◆ Push the stand (4) downwards until it reaches the end of its stroke (see figure).



CHECKING THE TRANSMISSION OIL LEVEL AND TOPPING UP

Carefully read p. 21 (TRANSMISSION OIL) and p. 39 (MAINTENANCE).

Check the transmission oil level every 4000 km (2500 mi), change it after the first 500 km (312 mi) and successively every 8000 km (5000 mi), see p. 45 (CHANGING THE TRANSMISSION OIL).

CHECKING

NOTE Position the vehicle on firm and flat ground.

- ◆ Stop the engine and let it cool down for at least ten minutes, in order to allow the oil to flow back to the oil pan and to cool down.
- ◆ Remove the right fairing, see p. 52 (REMOVING THE SIDE FAIRINGS).
- ◆ Unscrew and remove the screw (1).
- ◆ Take the sealing washer (2).

⚠ WARNING

Danger of fall or overturning.
When the vehicle is straightened from the parking position to the driving position, the stand goes automatically up.

- ◆ Keep the vehicle in vertical position, with the two wheels resting on the ground.

NOTE The non-performance of the operations described above may result in a wrong measurement of the level.

- ◆ Visually check if the oil reaches the lower edge of the threaded hole (3).

If so, proceed as follows:

- ◆ Check and if necessary change the sealing washer (2).
- ◆ Tighten the screw (1).

Otherwise:

- ◆ Provide for topping up.

TOPPING UP

If it were necessary to top up, proceed as follows:

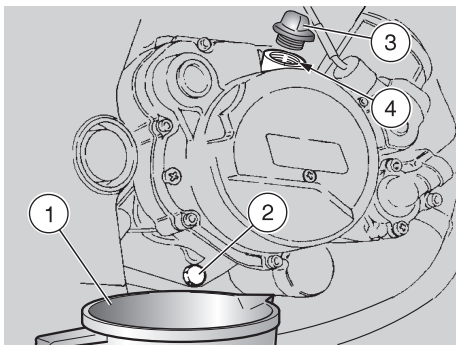
- ◆ Unscrew and remove the filling cap (4).
- ◆ Pour a small quantity of oil and wait about one minute, to allow the oil to flow uniformly inside the pan.
- ◆ Visually check if the oil reaches the lower edge of the threaded hole (3).
- ◆ If this is not the case, top up again with small quantities of oil and repeat the check through the threaded hole (3), until reaching the prescribed level.
- ◆ At the end of the operation, screw and tighten the filling cap (4).

⚠ WARNING

Tighten the filling cap thoroughly and make sure that there are no oil leaks.

Periodically check that there are no leaks in correspondence with the oil pan cover seal.

Do not use the vehicle with insufficient lubrication or with contaminated or unsuitable lubricants, since this would accelerate the wear of the moving parts and may also cause irreparable failures.



CHANGING THE TRANSMISSION OIL

Carefully read p. 21 (TRANSMISSION OIL) and p. 39 (MAINTENANCE).

Check the transmission oil level every 4000 km (2500 mi), change it after the first 500 km (312 mi) and successively every 8000 km (5000 mi).

CHANGING

- ◆ Start the engine, see p. 32 (STARTING) and let it idle for a few minutes, in order to facilitate the outflow of the oil during the draining phase.

NOTE Position the vehicle on firm and flat ground.

- ◆ Stop the engine and let it cool down for at least ten minutes, in order to allow the oil to flow back to the oil pan and to cool down.

⚠ WARNING

When warmed up, the engine contains hot oil; therefore, while carrying out the operations described here below be particularly careful, in order to avoid burns.

- ◆ Remove the right fairing, see p. 52 (REMOVING THE SIDE FAIRINGS).
- ◆ Remove the exhaust silencer, see p. 54 (REMOVING THE EXHAUST SILENCER).

⚠ WARNING

Danger of fall or overturning.

When the vehicle is straightened from the parking position to the driving position, the stand goes automatically up.

- ◆ Keep the vehicle in vertical position, with the two wheels resting on the ground.
- ◆ Put a container (1) with at least 900 cm³ capacity in correspondence with the drain plug (2).
- ◆ Unscrew and remove the drain plug (2).
- ◆ Unscrew and remove the filling plug (3).
- ◆ Drain the oil and let it drip into the container (1) for a few minutes.
- ◆ Remove the metal residues from the drain plug (2) magnet.
- ◆ Check and if necessary replace the sealing washer of the drain plug (2).

- ◆ Screw and tighten the drain plug (2).

Drain plug (2) driving torque:
27 Nm (2.7 kgm).

- ◆ Pour about 820 cm³ of transmission oil through the filling opening (4), see p. 75 (LUBRICANT CHART).
- ◆ Tighten the filling plug (3).
- ◆ Start the engine, see p. 32 (STARTING) and let it idle for about one minute, in order to ensure the filling up of the transmission oil circuit.

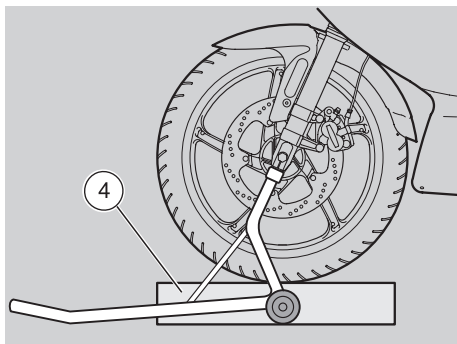
Check the oil level and top up if necessary, see p. 44 (CHECKING THE TRANSMISSION OIL LEVEL AND TOPPING UP).

⚠ WARNING

Tighten the filling plug and the drain plug thoroughly and make sure that there are no oil leaks.

Periodically check that there are no leaks in correspondence with the oil pan cover seal.

Do not use the vehicle with insufficient lubrication or with contaminated or unsuitable lubricants, since this would accelerate the wear of the moving parts and may also cause irreparable failures.



FRONT WHEEL

⚠ WARNING

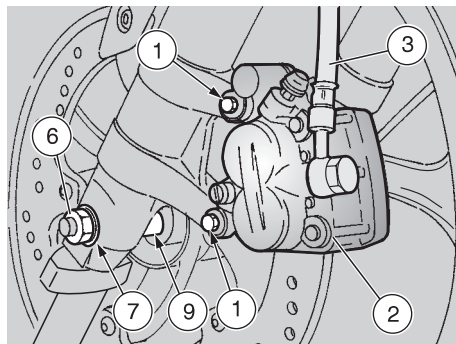
The disassembly and reassembly of the front wheel may be difficult for unskilled operators. If necessary, contact an **aprilia** Official Dealer.

If you want to perform these operations personally, keep to the following instructions.

Carefully read p. 39 (MAINTENANCE).

While disassembling and reassembling the wheel, be careful not to damage the brake pipes, the discs and the pads.

NOTE To remove the front wheel it is necessary to use the appropriate front and rear support stands **OPT**.



DISASSEMBLY

- ◆ Position the vehicle on the appropriate rear support stand, see p. 43 (POSITIONING THE VEHICLE ON THE REAR SUPPORT STAND **OPT**).
- ◆ Position the vehicle on the appropriate front support stand, see p. 42 (POSITIONING THE VEHICLE ON THE FRONT SUPPORT STAND **OPT**).

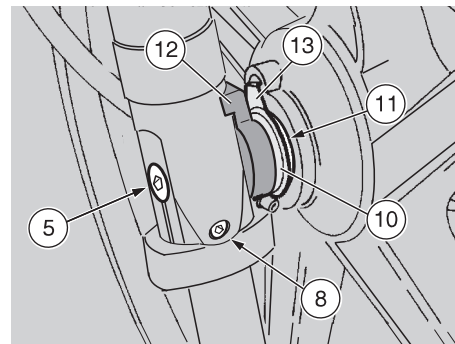
⚠ WARNING

Make sure that the vehicle is stable.

- ◆ Have someone keep the handlebar steady in running position, so that the steering is locked.

Brake caliper screw (1) driving torque: 22 Nm (2.2 kgm).

- ◆ Unscrew and remove the two screws (1) that fasten the front brake caliper (2).



- ◆ Withdraw the brake caliper (2) from the disc, leaving it attached to the pipe (3).

⚠ CAUTION

Never pull the front brake lever after removing the brake caliper, otherwise the caliper pistons may go out of their seats, thus causing the outflow of the brake fluid. In this case consult your **aprilia** Official Dealer, who will carry out the proper maintenance operation.

- ◆ Put a support (4) under the tyre, in such a way as to keep the wheel in its position after loosening it.
- ◆ Lock the wheel pin (5) by means of a spanner.
- ◆ Unscrew and remove the nut (6), taking the washer (7).

Wheel nut driving torque (6): 80 Nm (8 kgm).

- ◆ Loosen the screw (8) of the wheel pin clamp.

- ◆ Push the wheel pin (5), by carefully acting on the threaded end and using a rubber hammer if necessary.

NOTE Check the arrangement of the speedometer drive (10) and of the spacer ring (9), in order to be able to reassemble them correctly.

- ◆ Support the front wheel and extract the wheel pin manually.
- ◆ Take the spacer ring (9).
- ◆ Remove the wheel by withdrawing it from the front.
- ◆ Disconnect the odometer control (10).
- ◆ Take the washer (11).
- ◆ Take the odometer control cover (12).

REASSEMBLY

Carefully read p. 39 (MAINTENANCE).

- ◆ Spread a film of lubricating grease on the whole length of the wheel pin (5), see p. 75 (LUBRICANT CHART).
- ◆ Join the washer (11) to the odometer control (10) (tang side (13)).
- ◆ Position the tang (13) of the odometer control (10) in the appropriate seat on the wheel hub.
- ◆ Correctly insert the cover (12) on the odometer control (10).
- ◆ Position the spacer ring (9) in its seat on the wheel.

- ◆ Position the wheel between the fork rods on the support (4).

WARNING

Danger of injury.
Do not introduce your fingers to align the holes.

- ◆ Move the wheel until its central hole and the holes on the fork are aligned.
- ◆ Introduce the wheel pin (5) completely.
- ◆ Position the washer (7) and tighten the nut (6) manually.
- ◆ Make sure that the cover (12) is correctly coupled to the fork.
- ◆ Lock the wheel pin (5) rotation.
- ◆ Tighten the nut (6) thoroughly.

Nut (6) driving torque: 80 Nm (8 kgm).

CAUTION

While reassembling the wheel, be careful not to damage the brake pipe, the disc and the pads.

- ◆ Insert the brake caliper (2) on the disc and position it so that its fastening holes and the holes on the support are aligned.

NOTE Upon reassembly of the brake caliper, replace the caliper fastening screws (1) with two new screws of the same type.

- ◆ Screw and tighten the two screws (1) that fasten the brake caliper.

Brake caliper screw (1) driving torque: 22 Nm (2.2 kgm)

- ◆ Remove the front support stand **OPT**.
- ◆ Remove the rear support stand **OPT**.
- ◆ With pulled front brake lever, press the handlebar repeatedly, thrusting the fork downwards. In this way the fork rods will settle properly.
- ◆ Tighten the screw (8) of the wheel pin clamp.

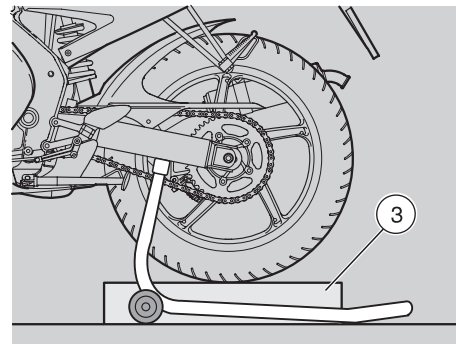
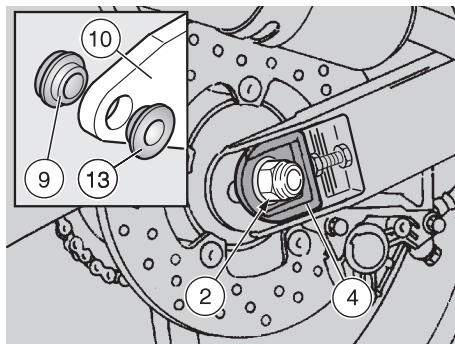
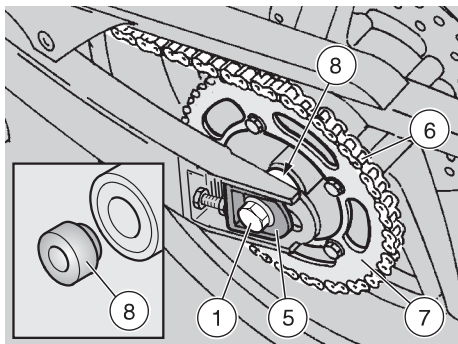
Screw (8) driving torque: 8 Nm (0.8 kgm)

WARNING

After reassembly, pull the front brake lever repeatedly and check the correct functioning of the braking system.

Check the wheel centering.

Have the driving torques, centering and balancing of the wheel checked by your **aprilia Official Dealer, in order to avoid accidents that may be harmful for you and/or other people.**



REAR WHEEL

⚠ WARNING

The disassembly and reassembly of the rear wheel may be difficult for unskilled operators. If necessary, contact an **aprilia** Official Dealer.

If you want to perform these operations personally, keep to the following instructions.

Carefully read p. 39 (MAINTENANCE).

Before carrying out the following operations, let the engine and the exhaust silencer cool down until they reach room temperature, in order to avoid burns.

⚠ CAUTION

While disassembling and reassembling the wheel, be careful not to damage the brake pipe, the disc and the pads.

NOTE To remove the rear wheel it is necessary to use the appropriate rear support stand **OPT**.

DISASSEMBLY

- ◆ Position the vehicle on the appropriate rear support stand, see p. 43 (POSITIONING THE VEHICLE ON THE REAR SUPPORT STAND **OPT**).
- ◆ Lock the wheel pin (1) rotation.

Wheel nut (2) driving torque:
80 Nm (8 kgm).

- ◆ Loosen and remove the nut (2), taking the washer.

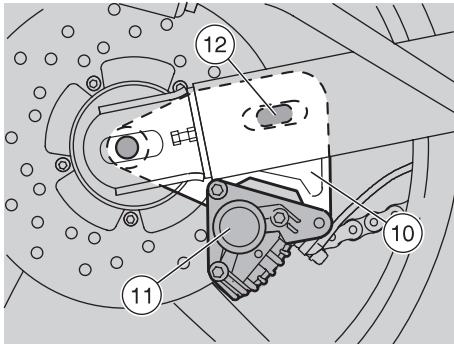
- ◆ Put a support (3) under the tyre, in such a way as to keep the wheel in its position after loosening it.
- ◆ Withdraw the wheel pin (1) from the right side.

NOTE Check the arrangement of the right (4) and left (5) chain tighteners, in order to be able to reassemble them correctly.

- ◆ Take the right (4) and left (5) chain tighteners.

NOTE Lower the drive chain (6) outside the crown gear (7).

- ◆ Make the wheel advance and release the drive chain (6) from the crown gear (7).
- ◆ Withdraw the wheel from the rear fork from behind, carefully withdrawing the disc from the brake caliper.



⚠ CAUTION

Never push the rear brake lever after removing the wheel, otherwise the caliper pistons may go out of their seats, thus causing the outflow of the brake fluid. In this case consult your **aprilia** Official Dealer, who will carry out the proper maintenance operation.

NOTE Check the arrangement of the spacer rings (8) and (9), in order to be able to reassemble them correctly.

- ◆ Take the left spacer ring (8).
- ◆ Take the right spacer ring (9).

REASSEMBLY

- ◆ Moderately grease the outer seats of the wheel hub.

⚠ CAUTION

The spacer rings have different diameters: do not invert them and take care to position them correctly.

- ◆ Insert the left (8) and right (9) spacer rings in their seats on the wheel hub.
- ◆ Reinsert the spacer ring (13) correctly, if it has gone out of the brake plate seat (10).

⚠ CAUTION

Before proceeding with the reassembly, make sure that support plate (10) of the brake caliper (11) is positioned correctly; the plate slot must be inserted in the appropriate stop pin (12) in the inner part of the rear fork right leg. Insert the brake disc in the brake caliper carefully.

- ◆ Position the wheel between the rear fork rods on the support (3).

⚠ WARNING

Do not introduce your fingers between the chain and the crown gear.

- ◆ Make the wheel advance and position the drive chain (6) on the crown gear (7).

⚠ WARNING

Danger of injury.

Do not introduce your fingers to align the holes.

- ◆ Move the wheel backwards, until its central hole and the holes on the rear fork are aligned.

- ◆ Rotate the support plate (10), complete with brake caliper (11) and with fulcrum on the stop pin (12), until it is aligned with the holes.
- ◆ Correctly insert the right (4) and left (5) chain tighteners in their seats on the fork.
- ◆ Uniformly apply a moderate quantity of grease on the wheel pin (1).
- ◆ Introduce the wheel pin (1) completely on the left side.

NOTE Make sure that the wheel pin (1) is completely inserted, with the head in the relevant seat on the left chain tightener (5).

- ◆ Position the washer and tighten the nut (2) manually.
- ◆ Check the chain tension, see p. 50 (DRIVE CHAIN).
- ◆ Tighten the nut (2).

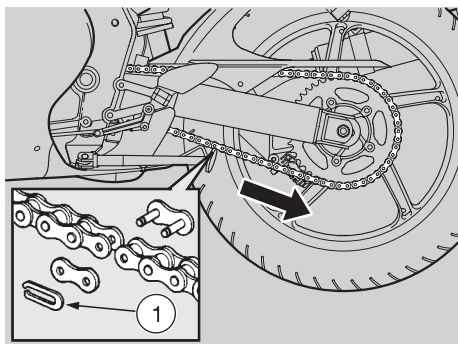
Wheel nut (2) driving torque:
80 Nm (8 kgm).

⚠ WARNING

After reassembly, push the rear brake lever repeatedly and check the correct functioning of the braking system.

Check the wheel centering.

Have the driving torques, centering and balancing of the wheel checked by your **aprilia** Official Dealer, in order to avoid accidents that may be harmful for you and/or other people.



DRIVE CHAIN

Carefully read p. 39 (MAINTENANCE).

The vehicle is equipped with a chain with ring link joint.

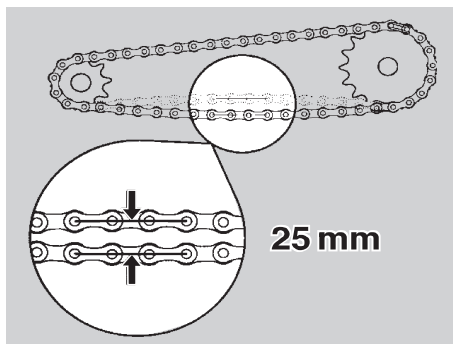
In case of disassembly and reassembly of the chain, make sure that the clip (1) of the ring link joint has its open side opposite the travelling direction (see figure).

⚠ WARNING

An excessive slackening of the chain can cause it to come off of the sprockets, which often results in accidents or serious damage to the vehicle.

Periodically check the slack and adjust it if necessary, see p. 51 (ADJUSTMENT).

To change the chain, contact an **aprilia** Official Dealer, who will ensure you prompt and accurate servicing.



⚠ CAUTION

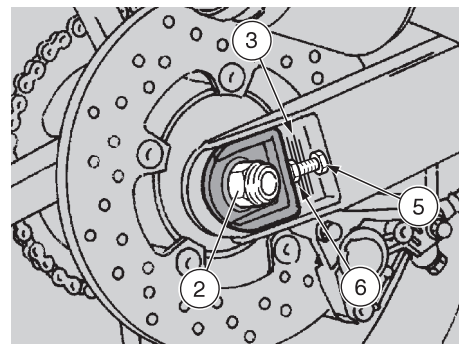
Incorrect maintenance may cause the untimely wear of the chain and/or damages to the pinion and/or the crown.

Carry out the maintenance operations more frequently if you use the vehicle in difficult conditions or on dusty and/or muddy roads.

CHECKING THE SLACK

To check the slack, proceed as follows:

- ◆ Stop the engine.
- ◆ Position the vehicle on the stand.
- ◆ Position the shifting lever in neutral.
- ◆ Make sure that the vertical oscillation, in an intermediate point between pinion and crown in the lower part of the chain, is about 25 mm.

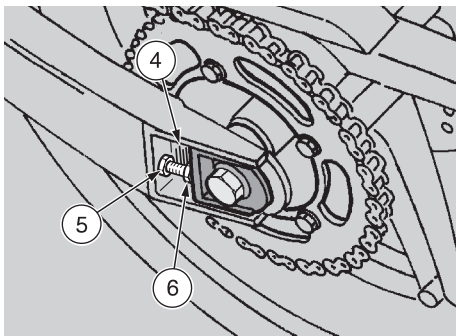


- ◆ Move the vehicle forwards, or turn the wheel, in order to be able to check the vertical oscillation of the chain even when the wheel turns; the slack must be constant in all the rotation phases of the wheel.

⚠ CAUTION

If in some positions the slack is higher than in others, this means that there are crushed or seized links; in this case, contact an **aprilia** Official Dealer. To prevent the risk of seizures, lubricate the chain frequently, see p. 51 (CLEANING AND LUBRICATION).

If the slack is uniform, but higher or lower than 25 mm, adjust it, see p. 51 (ADJUSTMENT).



ADJUSTMENT

NOTE To adjust the chain it is necessary to use the appropriate rear support stand **OPT**.

If after the check it is necessary to adjust the chain tension, proceed as follows:

- ◆ Position the vehicle on the appropriate rear support stand **OPT**, see p. 43 (POSITIONING THE VEHICLE ON THE REAR SUPPORT STAND **OPT**).
- ◆ Loosen the nut (2) completely.

NOTE For the wheel centering fixed reference marks (3-4) are provided, which can be seen inside the chain tightener seats on the rear fork arms, before the wheel pin.

- ◆ Loosen the two lock nuts (5).
- ◆ Act on the adjusters (6) and adjust the chain slack, making sure that the reference marks (3-4) are correctly positioned on both sides of the vehicle.
- ◆ Tighten the two lock nuts (5).
- ◆ Tighten the nut (2).

Wheel nut driving torque:
100 Nm (10 kgm).

- ◆ Check the chain slack, see p. 50 (CHECKING THE SLACK).

CHECKING THE WEAR OF CHAIN, PINION AND CROWN

Further, check the chain and sprockets and make sure that they do not present:

- ◆ Damaged rollers.
- ◆ Loose pins.
- ◆ Dry, rusty, crushed or seized links.
- ◆ Excessive wear.
- ◆ Sprocket or teeth excessively worn or damaged.

⚠ CAUTION

If the chain rollers are damaged and/or the pins are loose, it is necessary to change the whole chain unit (both sprockets and chain).

⚠ CAUTION

Lubricate the chain frequently, especially if there are dry or rusty parts. The crushed or seized links must be lubricated and made work again. If this is not possible, contact an Aprilia Official Dealer, who will provide for changing the chain.

- ◆ Finally, check the wear of the rear fork protection shoe.

CLEANING AND LUBRICATION

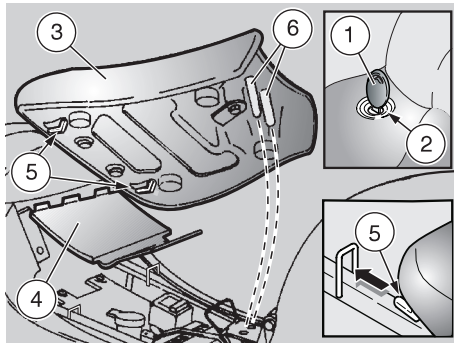
⚠ CAUTION

Carry out the adjustment, lubrication, cleaning and change of the chain with great care.

Lubricate the chain every 4000 km (2500 mi) or whenever necessary.

Lubricate the chain with spray grease for chains or with SAE 80W-90 oil.

Never wash the chain with water jets, steam jets, high-pressure water jets and highly inflammable solvents.



REMOVING THE RIDER SADDLE

Carefully read p. 39 (MAINTENANCE).

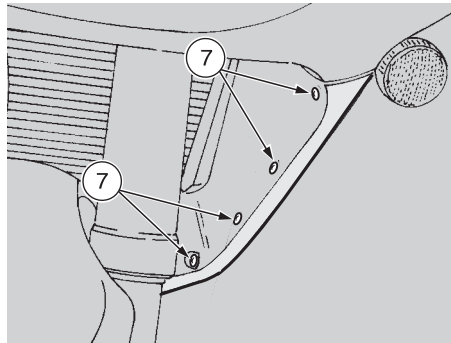
- ◆ Position the vehicle on the stand.
- ◆ Insert the key (1) in the lock (2).
- ◆ Rotate the key (1) clockwise.
- ◆ Raise and remove the saddle (3).
- ◆ Remove the flap (4).

Upon reassembly:

- ◆ Position the flap (4) correctly.
- ◆ Insert the rear tangs (5) of the saddle in the appropriate seats (see figure).
- ◆ Lower the saddle and insert the two pins (6) in the relevant seats.
- ◆ Turn the key (1) anticlockwise, locking the saddle.

⚠ WARNING

Before leaving, make sure that the saddle (3) is properly positioned and locked.



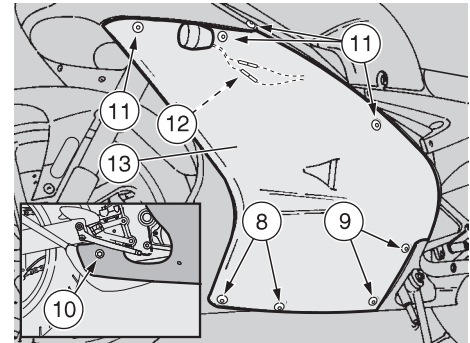
REMOVING THE SIDE FAIRINGS

Carefully read p. 39 (MAINTENANCE).

⚠ WARNING

Before carrying out the following operations, let the engine and the exhaust silencer cool down until they reach room temperature, in order to avoid burns.

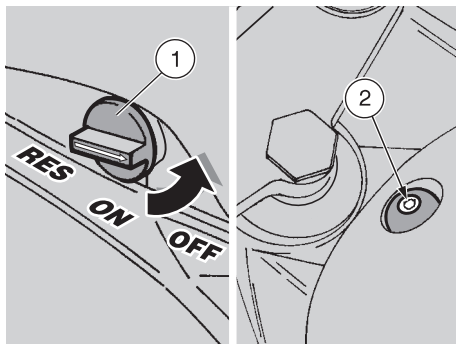
- ◆ Position the vehicle on the stand.
- ◆ Unscrew and remove the four screws (7).
- ◆ Unscrew and remove the two lower screws (8).
- ◆ **For the left fairing:** unscrew and remove the two rear screws (9).
- ◆ **For the right fairing:** unscrew and remove the rear screw (10).
- ◆ Unscrew and remove the four screws (11).



⚠ CAUTION

Handle the plastic and painted components with care and avoid scraping or damaging them.
Do not force the electric cables.

- ◆ Disconnect the two electric terminals (12) of the direction indicator.
- ◆ Remove the side fairing (13).



LIFTING THE FUEL TANK

Carefully read p. 21 (FUEL) and p. 39 (MAINTENANCE).

⚠ WARNING

Risk of fire.

Wait until the engine and the exhaust silencer have completely cooled down.

Fuel vapours are noxious for your health.

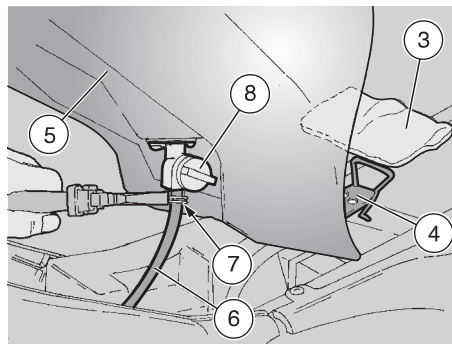
Before proceeding, make sure that the room in which you are working is properly ventilated.

Do not inhale fuel vapours.

Do not smoke and do not use naked flames.

DO NOT DISPOSE OF FUEL IN THE ENVIRONMENT.

- ◆ Move the fuel tap lever (1) to position "OFF".



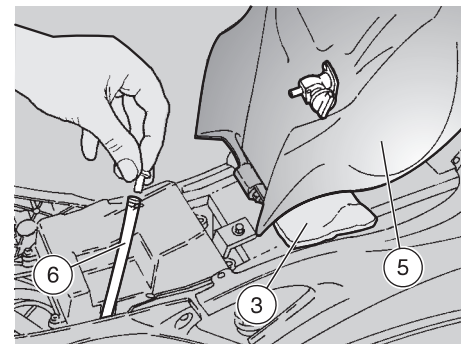
- ◆ Remove the rider saddle, see p. 52 (REMOVING THE RIDER SADDLE).
- ◆ Unscrew and remove the screw (2) and take the bushing.
- ◆ Drain the fuel tank completely, see p. 69 (DRAINING THE FUEL TANK).
- ◆ Position a spongy cloth (3) on the front support of the rider saddle (4).

⚠ CAUTION

Handle with care.

While lifting the fuel tank (5), DO NOT force the fuel pipe (6).

- ◆ Grasp the front part of the fuel tank (5) and lift it partially.
- ◆ Withdraw the clamp (7) by means of a spanner.



⚠ CAUTION

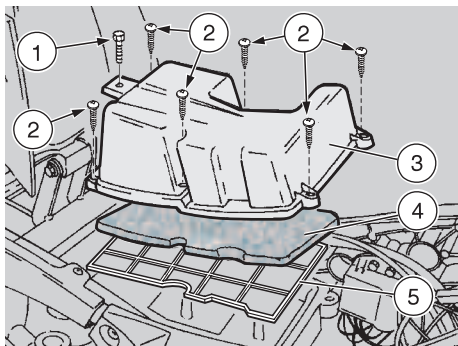
Upon reassembly, reintroduce the fuel pipe (6) completely and position the clamp (7) correctly.

- ◆ Withdraw the fuel pipe (6) from the fuel tap (8).

⚠ WARNING

Danger! The fuel may flow out.

- ◆ Plug the free end of the fuel pipe (6) and fix it to the vehicle in vertical position.
- ◆ Grasp the front part of the fuel tank (5), lift it, rotate it and put it on the spongy cloth (3) positioned on the front support of the rider saddle.



REMOVAL

- ◆ Lift the fuel tank, see p. 53 (LIFTING THE FUEL TANK).
- ◆ Unscrew and remove the screw (1).
- ◆ Unscrew and remove the six screws (2).
- ◆ Remove the filter case cover (3).
- ◆ Remove the filtering element (4).
- ◆ Remove the grid (5).

⚠ CAUTION

Plug the opening with a clean cloth, to prevent any foreign matters from entering the suction pipes.

AIR CLEANER

⚠ WARNING

Do not use petrol or inflammable solvents to wash the air cleaner, in order to avoid fires or explosions.

Carefully read p. 39 (MAINTENANCE).

Check the conditions of the air cleaner and clean it monthly or every 4000 km, depending on the conditions in which the vehicle is used.

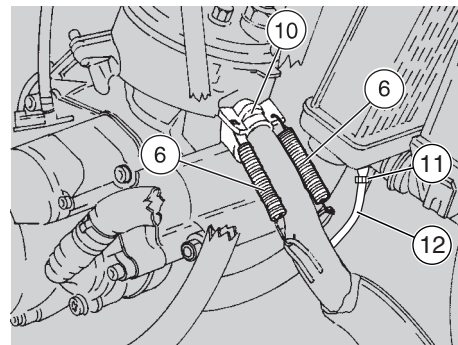
If the vehicle is used on dusty or wet roads, the cleaning operations and any replacement should be carried out more frequently.

Before the cleaning operation, it is necessary to remove the air cleaner from the vehicle.

CLEANING

- ◆ Clean the filtering element (4) with clean, non-inflammable solvents or solvents with high volatility point, then let it dry thoroughly.
- ◆ Apply a filter oil or a thick oil (SAE 80W-90) on the whole surface of the filtering element, then squeeze it to eliminate the oil in excess.

NOTE The filtering element (4) must be well impregnated, though not dripping.



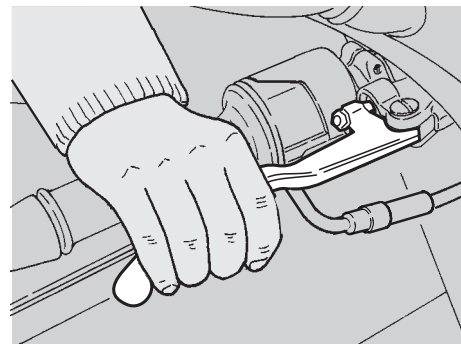
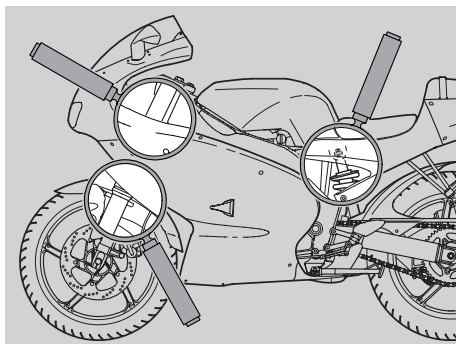
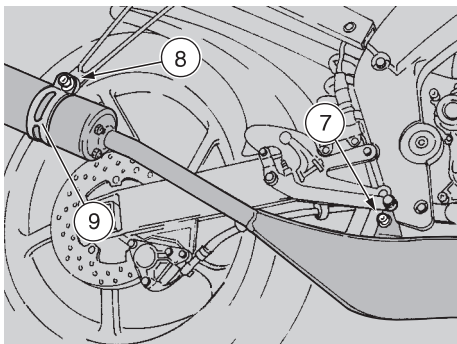
REMOVING THE EXHAUST SILENCER

Carefully read p. 39 (MAINTENANCE).

⚠ WARNING

Before carrying out the following operations, let the engine and the exhaust silencer cool down until they reach room temperature, in order to avoid burns.

- ◆ Remove the right fairing, see p. 52 (REMOVING THE SIDE FAIRINGS).
- ◆ Remove the two springs (6).
- ◆ Release the clip (11) and disconnect the secondary air pipe (12).
- ◆ Unscrew and remove the screw (7) and take the washer.
- ◆ Unscrew and remove the screw (8) and take the washer.
- ◆ Take the support (9).
- ◆ Support the exhaust silencer and withdraw it from the exhaust manifold (10).



Upon reassembly:

- ◆ Apply a layer of heat-resistant gasket material on the area where the exhaust silencer is coupled to the exhaust manifold.

INSPECTING THE FRONT AND REAR SUSPENSIONS

⚠ CAUTION

Have the front fork oil changed by an **aprilia** Official Dealer, who will ensure you prompt and accurate servicing.

Carefully read p. 39 (MAINTENANCE).

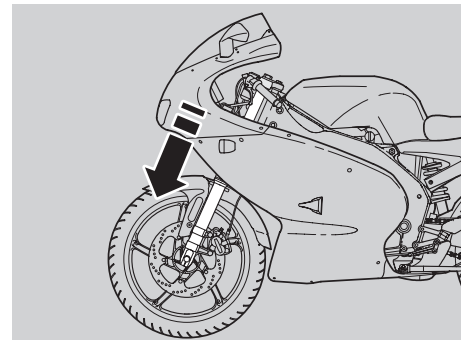
Have the front fork oil changed every 12000 km (7500 mi).

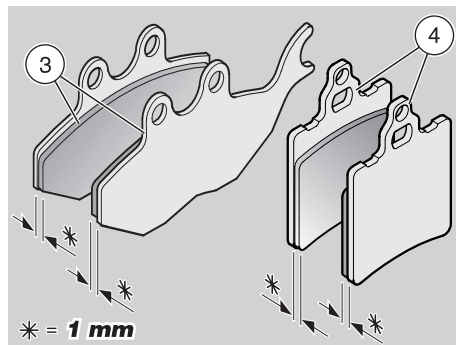
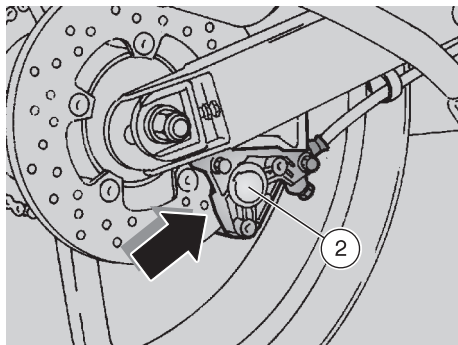
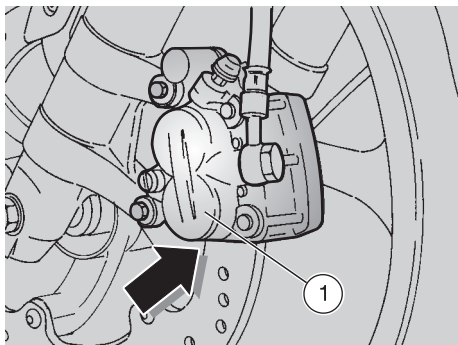
Every 12000 km (7500 mi), carry out the following checking operations:

- ◆ With pulled front brake lever, press the handlebar repeatedly, thrusting the fork downwards.
The stroke must be gentle and there must be no trace of oil on the rods.
- ◆ Check the fastening of all the components and the functionality of the front and rear suspension joints.

⚠ CAUTION

If you notice irregularities in the operation or if the help of a qualified technician is necessary, contact your **aprilia** Official Dealer.





CHECKING THE BRAKE PAD WEAR

Carefully read p. 22 (BRAKE FLUID-recommendations), p. 22 (DISC BRAKES) and p. 39 (MAINTENANCE).

The following information refer to a single braking system, but are valid for both.

Check the brake pad wear after the first 500 km (312 mi) and successively every 2000 km (1250 mi).

The wear of the brake pads depends on the use, on the kind of drive and on the road.

⚠ WARNING

Check the wear of the brake pads, especially before every trip.

To carry out a rapid checking of the wear of the pads, proceed as follows:

- ◆ Position the vehicle on the stand.
- ◆ Carry out a visual checking of the friction material thickness by looking between the brake caliper and the pads. Proceed:
 - from below, on the front part, for the front brake caliper (1);
 - from below, on the rear part, for the rear brake caliper (2).

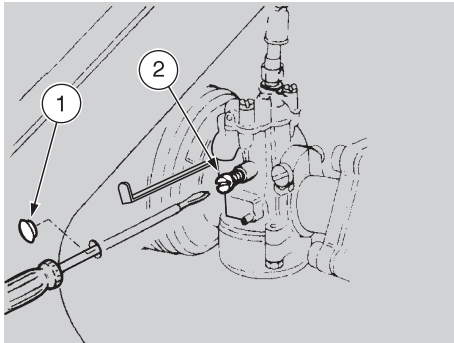
⚠ WARNING

The excessive wear of the friction material would cause the contact of the pad metal support with the disc, with consequent metallic noise and production of sparks from the caliper; braking efficiency, safety and soundness of the disc would thus be negatively affected.

- ◆ If the thickness of the friction material (even of one pad only) has reduced to about 1 mm, replace both pads.
 - Front pad (3).
 - Rear pad (4).

⚠ WARNING

Have the pads changed by your **aprilia** Official Dealer.



IDLING ADJUSTMENT

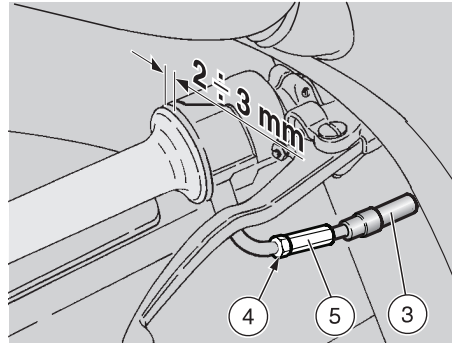
Carefully read p. 39 (MAINTENANCE).

Adjust the idling every time it is irregular.

To carry out this operation, proceed as follows:

- ◆ Ride for a few miles until reaching the normal running temperature, see p. 15 (Coolant temperature indicator $\frac{E}{L}$).
- ◆ Position the gear lever in neutral (green warning light "N" on).
- ◆ Check the engine idling rpm on the revolution counter.

The engine idling speed must be about 1100 ± 100 rpm.



If necessary:

- ◆ Position the vehicle on the stand.
- ◆ Remove the rubber plug (1) (right fairing).
- ◆ Insert a flat-tip screwdriver in the hole and adjust the screw (2) positioned on the carburettor.
By **SCREWING IT** (clockwise), you increase the engine rpm.
By **UNSCREWING IT** (anticlockwise), you decrease the engine rpm.
- ◆ Twist the throttle grip, accelerating and decelerating a few times to make sure that it functions correctly and to check if the idling speed is constant.

NOTE If necessary, contact your **aprilia** Official Dealer.

ADJUSTING THE ACCELERATOR CONTROL

Carefully read p. 39 (MAINTENANCE).

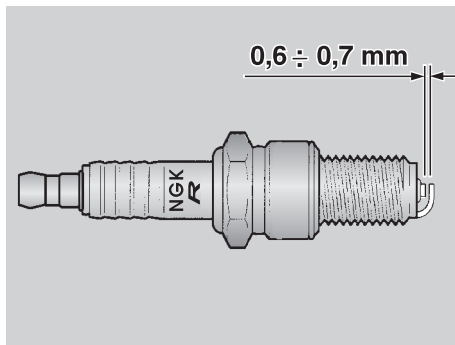
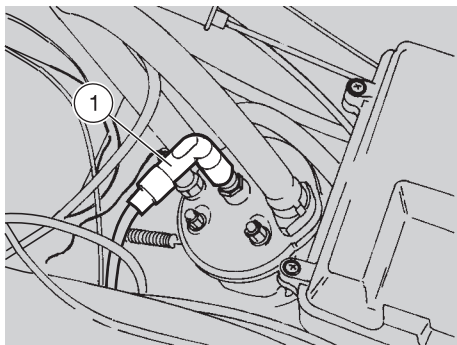
The idle stroke of the throttle grip must be 2 ± 3 mm, measured on the edge of the grip itself.

If this is not the case, proceed as follows:

- ◆ Position the vehicle on the stand.
- ◆ Withdraw the protection element (3).
- ◆ Loosen the lock nut (4).
- ◆ Rotate the adjuster (5) in such a way as to restore the prescribed value.
- ◆ After the adjustment, tighten the lock nut (4) and check the idle stroke again.
- ◆ Put back the protection element (3).

⚠ WARNING

After the adjustment, make sure that the rotation of the handlebar does not modify the engine idling rpm and that the throttle grip returns smoothly and automatically to its original position after being released.



SPARK PLUG

Carefully read p. 39 (MAINTENANCE).

Clean the spark plug after the first 500 km (312 mi) and successively every 1000 km (625 mi); change it every 3000 km (1875 mi).

Periodically remove the spark plug and clean it carefully, removing carbon deposits; change it if necessary.

To reach the spark plug:

- ◆ Lift the fuel tank, see p. 53 (LIFTING THE FUEL TANK).

To remove and clean the spark plug:

- ◆ Take off the spark plug cap (1).
- ◆ Remove all the dirt from the base of the spark plug, then unscrew it with the spanner you will find in the tool kit and extract it from its seat, taking care that neither dust nor other substances enter the cylinder.
- ◆ Make sure that there are neither carbon deposits, nor corrosion marks on the electrode and on the central porcelain part; if necessary, clean them with the special cleaners for spark plugs, with an iron wire and/or a metal brush.
- ◆ Energetically blow some air, in order to prevent the removed residues from getting into the engine.
If the spark plug has crackings on the insulating material, corroded electrodes or excessive deposits, it must be changed.

- ◆ Check the spark plug gap with a thickness gauge.
The gap must be **0.6 ÷ 0.7 mm**; if necessary adjust it, carefully bending the earth electrode.
- ◆ Make sure that the washer is in good conditions. With the washer on, screw the spark plug by hand in order not to damage the thread.
- ◆ Tighten the spark plug by means of the spanner you will find in the tool kit, giving it half a turn to compress the washer.

**Spark plug driving torque:
20 Nm (2 kgm).**

⚠ CAUTION

The spark plug must be well tightened, otherwise the engine may overheat and be seriously damaged.

Use the recommended type of spark plug only, see p. 72 (TECHNICAL DATA), in order not to compromise the life and performance of the engine.

- ◆ Position the spark plug cap properly, so that it does not come off due to the vibrations of the engine.
- ◆ Put back the fuel tank.

BATTERY

Carefully read p. 39 (MAINTENANCE).

Check the electrolyte level and the tightening of the terminals after the first 500 km (312 mi) and successively every 4000 km (2500 mi) or 12 months.

WARNING

The electrolyte in the battery is toxic and caustic and if it gets in contact with the skin it can cause burns, since it contains sulphuric acid. Wear protection clothes, a face mask and/or goggles during maintenance operations.

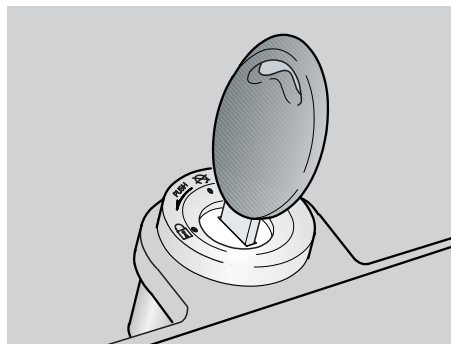
In case of contact with the skin, rinse with plenty of water.

In case of contact with the eyes, rinse with plenty of water for fifteen minutes, then consult an oculist without delay.

If the electrolyte is accidentally swallowed, drink a lot of water or milk, then continue drinking milk of magnesia or vegetable oil and consult a doctor without delay.

The battery gives off explosive gases; keep it away from flames, sparks, cigarettes and any other source of heat.

During the recharging or the use, make sure that the room is properly ventilated and avoid inhaling the gases released during the recharging.

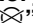


KEEP AWAY FROM CHILDREN.

Do not incline the vehicle too much, in order to avoid dangerous leaks of the battery fluid.

CAUTION

Never invert the connection of the battery cables.

Connect and disconnect the battery with the ignition switch in position “”. Connect first the positive cable (+) and then the negative cable (-). Disconnect following the reverse order.

LONG INACTIVITY OF THE BATTERY

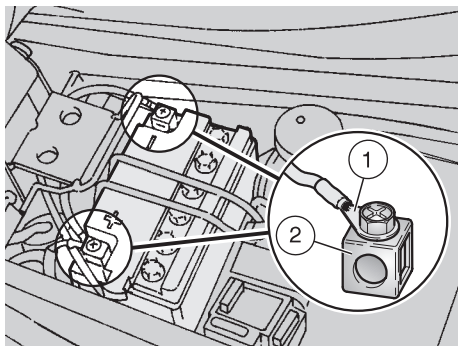
If the vehicle remains unused for more than fifteen days, it is necessary to recharge the battery, in order to prevent its sulphation, see p. 61 (RECHARGING THE BATTERY).

◆ Remove the battery, see p. 60 (REMOVING THE BATTERY) and put it in a cool and dry place.

It is important to check the charge periodically (about once a month), during the winter or when the vehicle remains unused, in order to prevent the deterioration of the battery.

◆ Recharge it completely with a normal charge, see p. 61 (RECHARGING THE BATTERY).

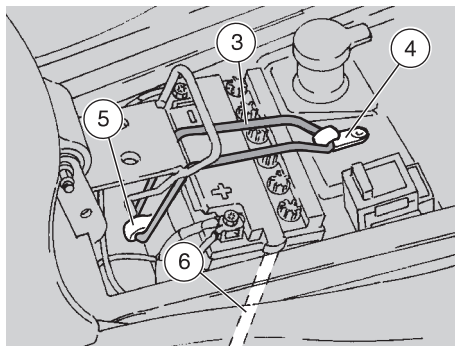
If the battery remains on the vehicle, disconnect the cables from the terminals.



CHECKING AND CLEANING THE TERMINALS

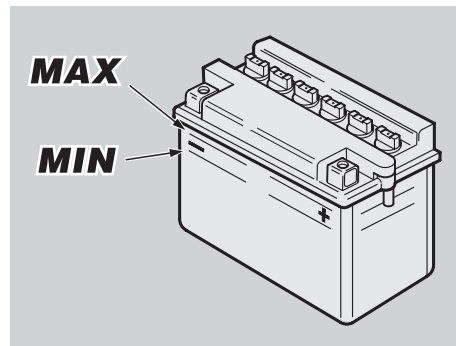
Carefully read p. 59 (BATTERY).

- ◆ Remove the rider saddle, see p. 52 (REMOVING THE RIDER SADDLE).
- ◆ Make sure that the cable terminals (1) and the battery terminals (2) are:
 - in good conditions (and not corroded or covered with deposits);
 - covered with neutral grease or Vaseline.



If necessary:

- ◆ Make sure that the ignition switch is in position "⊗".
- ◆ Disconnect first the negative (-) and then the positive cable (+).
- ◆ Brush with a wire brush to eliminate any sign of corrosion.
- ◆ Reconnect first the positive (+) and then the negative cable (-).
- ◆ Cover the terminals of the cables and of the battery with neutral grease or Vaseline.



REMOVING THE BATTERY

Carefully read p. 59 (BATTERY).

- ◆ Make sure that the ignition switch is in position "⊗".
- ◆ Remove the rider saddle, see p. 52 (REMOVING THE RIDER SADDLE).
- ◆ Release the rubber band (3) from the couplings (4) and (5) and take it.
- ◆ Disconnect first the negative (-) and then the positive cable (+).
- ◆ Remove the battery breather pipe (6).
- ◆ Remove the battery from its compartment and put it on a flat surface, in a cool and dry place.

⚠ WARNING

Once it has been removed, the battery must be stored in a safe place and kept away from children.

CHECKING THE ELECTROLYTE LEVEL

Carefully read p. 59 (BATTERY).

To check the electrolyte level, proceed as follows:

- ◆ Remove the battery, see p. 60 (REMOVING THE BATTERY).
- ◆ Make sure that the fluid level is included between the two “MIN” and “MAX” notches stamped on the battery side. Otherwise:
- ◆ Remove the element plugs.

⚠ CAUTION

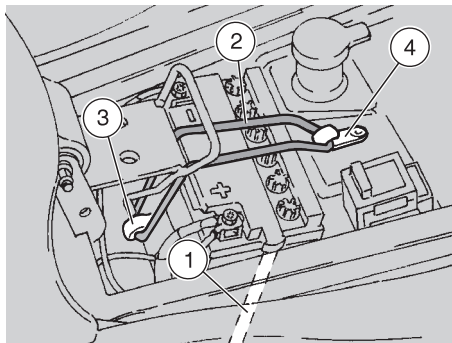
Top up with distilled water only. Do not exceed the “MAX” mark, since the electrolyte level increases during the recharge.

- ◆ Top up by adding distilled water.

RECHARGING THE BATTERY

Carefully read p. 59 (BATTERY).

- ◆ Remove the battery, see p. 60 (REMOVING THE BATTERY).
- ◆ Remove the element plugs.



- ◆ Check the electrolyte level, see beside (CHECKING THE ELECTROLYTE LEVEL).
- ◆ Connect the battery with a battery charger.
- ◆ A recharge with an amperage equal to 1/10th of the battery capacity is recommended.
- ◆ After the recharging operation, check the electrolyte level again and if necessary top up with distilled water.
- ◆ Put back the element plugs.

⚠ CAUTION

Reassemble the battery only 5-10 minutes after disconnecting the recharge apparatus, since the battery continues to produce gas for a short lapse of time.

INSTALLING THE BATTERY

Carefully read p. 59 (BATTERY).

- ◆ Make sure that the ignition switch is in position “ \otimes ”.
- ◆ Remove the rider saddle, see p. 52 (REMOVING THE RIDER SADDLE).
- ◆ Put the battery in its container.
- ◆ Connect the battery breather pipe (1).

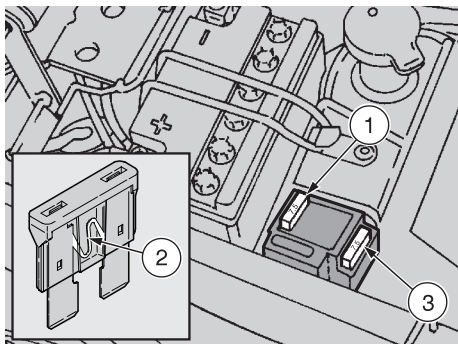
⚠ CAUTION

Always connect the battery breather pipe, to prevent the sulphuric acid vapours from corroding the electric system, painted parts, rubber elements or gaskets when they exit the breather pipe itself.

- ◆ Connect, in order, the positive (+) and negative (–) cable.
- ◆ Cover the terminals of the cables and of the battery with neutral grease or Vaseline.

NOTE Insert first the lower coupling (3) and then the upper coupling (4).

- ◆ Put back the rubber band (2) in the couplings (3) and (4), taking care to position it correctly.
- ◆ Put back the rider saddle, see p. 52 (REMOVING THE RIDER SADDLE).



For the checking, proceed as follows:

- ◆ Turn the ignition switch to position “”, to avoid any accidental short circuit.
- ◆ Remove the rider saddle, see p. 52 (REMOVING THE RIDER SADDLE).
- ◆ Extract the fuse (1) and check if the filament (2) is broken.
- ◆ Before replacing the fuse, try to find out the cause of the trouble, if possible.
- ◆ Then replace the damaged fuse with the spare fuse (3) or with a new one having the same amperage.

NOTE If you use one of the spare fuse (3), put a new fuse in the suitable seat.

ARRANGEMENT OF THE FUSE

7.5 A fuse from the battery to:

all the electric loads, excluding the light circuit, which is fed with alternate current.

CLEANING THE EXHAUST SILENCER AND THE EXHAUST TERMINAL

Carefully read p. 39 (MAINTENANCE).

The cleaning of the exhaust silencer final pipe and of the exhaust terminal tailpipe must be carried out every 4000 km (2500 mi).

It is advisable to have this maintenance operation carried out by an aprilia Official Dealer.

The following information is intended exclusively to instruct the operator on how to clean the exhaust silencer and the exhaust terminal.

These instructions do not intend to show how to remove the exhaust terminal for purposes other than cleaning.

CAUTION

The use of the vehicle without exhaust silencer and/or exhaust terminal is forbidden by the law.

It is also forbidden to replace these components with non-homologated spare parts.

WARNING

Before carrying out the following operations, let the engine and the exhaust silencer cool down until they have reached room temperature, in order to avoid any burns.

- ◆ Unscrew and remove the screw (4) and take the washer.
- ◆ Take the support (5).

CAUTION

Support the exhaust terminal (6), in order to prevent it from accidentally falling down.

- ◆ Loosen the three nuts (7); unscrew and remove them.

NOTE Upon reassembly, first screw the three nuts (7) (without tightening them) and then tighten them.

CHANGING THE FUSE

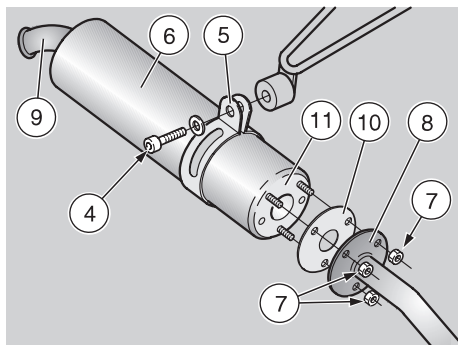
Carefully read p. 39 (MAINTENANCE).

CAUTION

Do not repair faulty fuses. Never use fuses different from the recommended ones. The use of unsuitable fuses may cause damages to the electric system or, in case of short circuit, even a fire.

NOTE If a fuse blows frequently, there probably is a short circuit or an overload in the electric system. In this case it is advisable to consult an **aprilia** Official Dealer.

If an electric component does not work or works irregularly, or if the vehicle fails to start, it is necessary to check the fuse (1).



- ◆ Withdraw the exhaust terminal (6) from the flange (8).

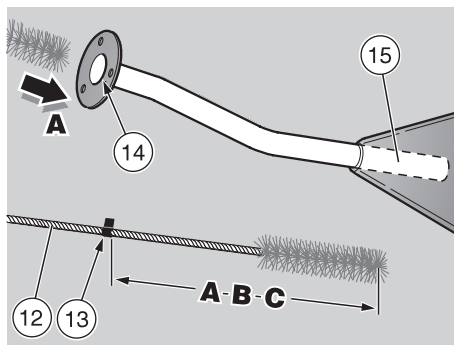
NOTE Upon reassembly, insert the exhaust terminal (6) in the flange (8), making sure that the tailpipe (9) is directed downwards.

- ◆ Remove the gasket (10).

NOTE Upon reassembly, replace the gasket (10) with a new one.

- ◆ Remove any deposit from the flange (8) and the gasket seat (11).

NOTE Prepare a flexible cleaning brush (12) with suitable diameter.



⚠ CAUTION

Do not use any object or tool other than the cleaning brush.

Do not insert any object, especially if small, in the exhaust silencer or in the exhaust terminal.

Do not insert the cleaning brush too deeply.

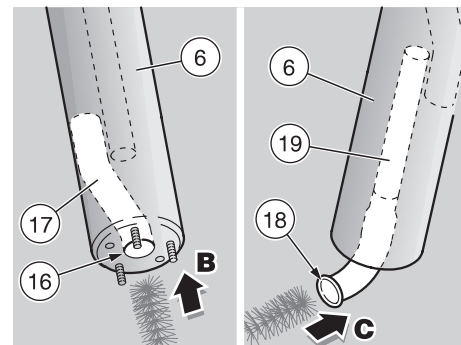
Keep to the indicated depth.

- ◆ Apply a reference mark (13) (like a piece of coloured adhesive tape) on the cleaning brush, in order to indicate the depth to be respected.

Depths to be indicated on the cleaning brush:

A) = 320 mm; **B**) = 125 mm; **C**) = 250 mm

NOTE After every cleaning operation, remove the reference mark and remove any deposit from the cleaning brush.



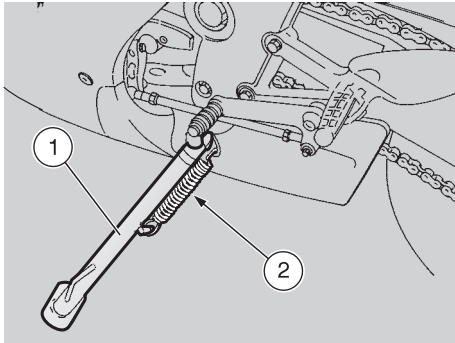
- ◆ Insert the cleaning brush in the flange hole (14), without exceeding the depth (A).

NOTE Use the cleaning brush pushing it forward and backward.

- ◆ Clean the final pipe of the exhaust silencer (15) by means of the cleaning brush.

NOTE For the following operations, position the exhaust terminal (6) vertically and insert the cleaning brush from the lower side.

- ◆ Insert the cleaning brush in the inlet hole (16), without exceeding the depth (B).
- ◆ Clean the inlet pipe (17) by means of the cleaning brush.
- ◆ Rotate the exhaust terminal by 180°.
- ◆ Insert the cleaning brush in the outlet hole (18), without exceeding the depth (C).
- ◆ Clean the outlet pipe (19) by means of the cleaning brush.



CHECKING THE SIDE STAND

Carefully read p. 39 (MAINTENANCE) and p. 64 (CHECKING THE SWITCHES).

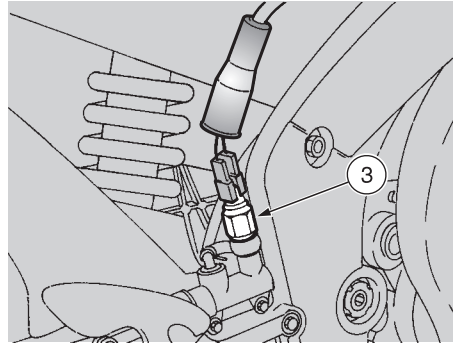
⚠ WARNING

Danger of fall or overturning.
When the vehicle is straightened from the parking position to the driving position, the stand goes automatically up.

The side stand (1) must rotate without hindrances.

Carry out the following checks:

- ◆ The springs (2) must not be damaged, worn, rusty or weakened.
- ◆ The side stand must rotate freely, if necessary grease the joint, see p. 75 (LUBRICANT CHART).

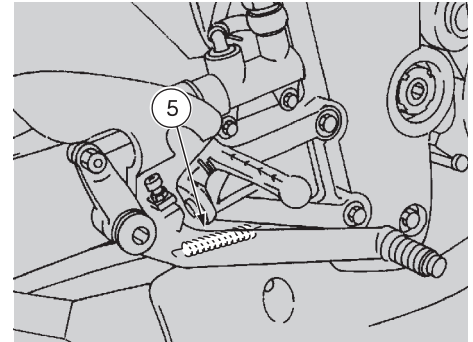
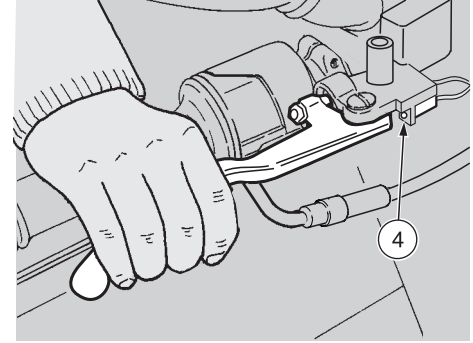


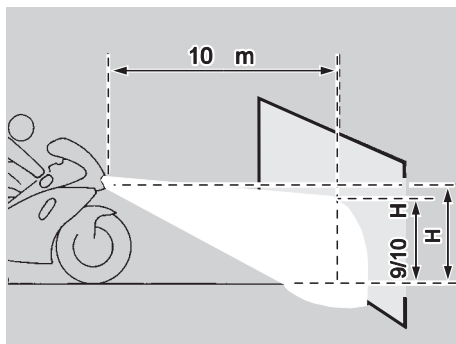
CHECKING THE SWITCHES

Carefully read p. 39 (MAINTENANCE).

The vehicle is provided with two switches:

- Stoplight switch on the rear brake control lever (3);
- Stoplight switch on the front brake control lever (4);
- ◆ Make sure that there are no dirt or mud deposits on the switch; the pin must be able to move without interferences, returning automatically to its initial position.
- ◆ Make sure that the cables are connected correctly.
- ◆ Check the spring (5): it must not be damaged, worn or weakened.

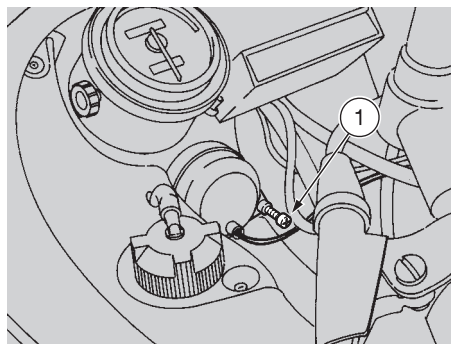




ADJUSTING THE VERTICAL HEADLIGHT BEAM

To rapidly check the correct direction of the beam, place the vehicle on flat ground, 10 m away from a wall.

Turn on the low beam, sit on the vehicle and make sure that the beam projected on the wall is slightly under the horizontal line of the headlight (about 9/10th of the total height).

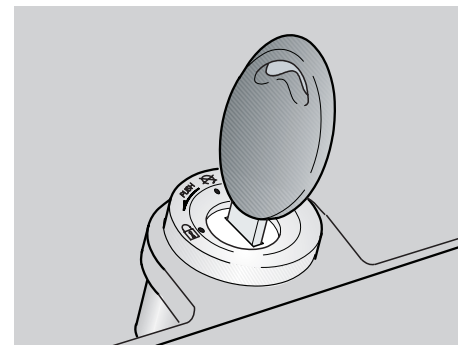


To adjust the headlight beam:

- ◆ Working on the rear left side of the front part of the fairing, adjust the appropriate screw (1) by means of a short cross-tip screwdriver.

By **SCREWING IT** (clockwise), you set the beam upwards.


By **UNSCREWING IT** (anticlockwise), you set the beam downwards.



BULBS

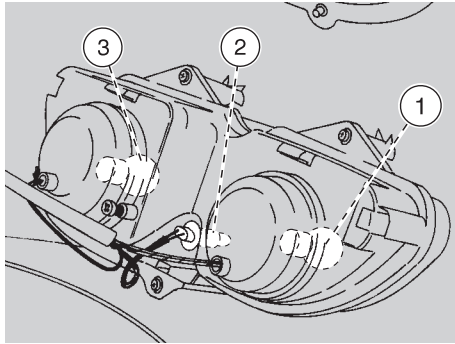
Carefully read p. 39 (MAINTENANCE).

⚠ CAUTION

Before changing a bulb, turn the ignition switch to position “”.
Change the bulb wearing clean gloves or using a clean and dry cloth.

Do not leave fingerprints on the bulb, since these may cause its overheating and consequent breakage.
If you touch the bulb with bare hands, remove any fingerprint with alcohol, in order to prevent it from blowing.

DO NOT FORCE THE ELECTRIC CABLES.



CHANGING THE HEADLIGHT BULBS

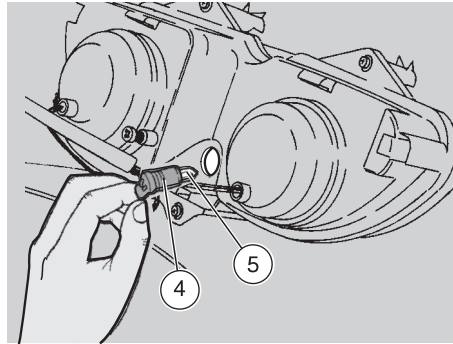
Carefully read p. 65 (BULBS).

- ◆ Position the vehicle on the stand.

NOTE Before changing a bulb, check the fuse, see p. 62 (CHANGING THE FUSE).

The headlight contains:

- ◆ One high beam bulb (1) (right side).
- ◆ One parking light bulb (2) (lower side).
- ◆ One low beam bulb (3) (left side).



The high beam and the low beam bulbs are equal to each other. If either of them is damaged and no spare bulb is available, it is possible to invert them. This operation is intended only to make it easier for the rider to go back home or to reach a shop where he can buy a new bulb, but the replacement of the damaged bulb remains indispensable.

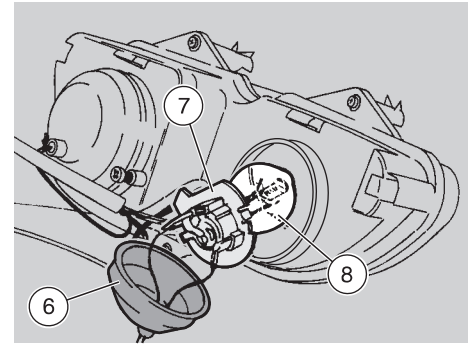
To change the bulbs, proceed as follows:

PARKING LIGHT BULB

⚠ CAUTION

To extract the bulb socket, do not pull the electric wires.

- ◆ Working on the rear side of the front part of the fairing, seize the bulb socket (4), pull it and remove it from its seat.
- ◆ Withdraw the parking light bulb (5) and replace it with one of the same type.



HIGH BEAM BULBS

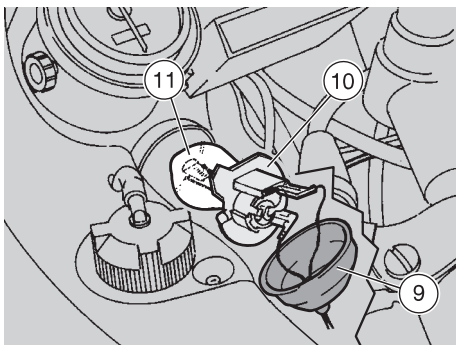
NOTE Extract the bulb sockets one by one, in such a way as to avoid positioning them incorrectly during the reassembly.

If the bulb sockets must be removed at the same time, take care to reassemble them in the correct position.

- ◆ Working on the rear right side of the front part of the fairing, move the protection element (6) with your hands.
- ◆ Rotate the bulb socket (7) anticlockwise and extract it.
- ◆ Press the bulb (8) moderately and rotate it anticlockwise.
- ◆ Extract the bulb from its seat.

NOTE Insert the bulb in the bulb socket, making the relevant positioning seats coincide.

- ◆ Correctly install a new bulb of the same type.



LOW BEAM BULB

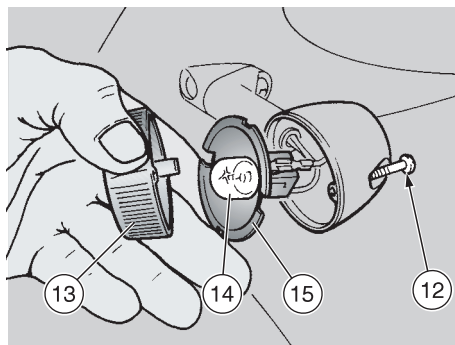
NOTE Extract the bulb sockets one by one, in such a way as to avoid positioning them incorrectly during the reassembly.

If the bulb sockets must be removed at the same time, take care to reassemble them in the correct position.

- ◆ Working on the rear left side of the front part of the fairing, move the protection element (9) with your hands.
- ◆ Rotate the bulb socket (10) anticlockwise and extract it.
- ◆ Press the bulb (11) moderately and rotate it anticlockwise.
- ◆ Extract the bulb from its seat.

NOTE Insert the bulb in the bulb socket, making the relevant positioning seats coincide.

- ◆ Correctly install a new bulb of the same type.



CHANGING THE FRONT AND REAR DIRECTION INDICATOR BULBS

Carefully read p. 65 (BULBS).

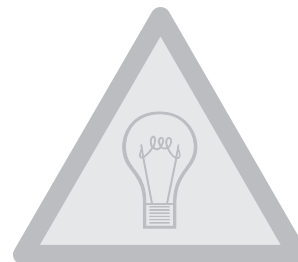
NOTE Before changing a bulb, check the fuse, see p. 62 (CHANGING THE FUSE).

- ◆ Position the vehicle on the stand.
- ◆ Unscrew and remove the screw (12).

NOTE While removing the protection screen, proceed carefully in order not to break the cog.

- ◆ Remove the protection screen (13).

NOTE Upon reassembly, correctly position the protection screen in its seat.



⚠ CAUTION

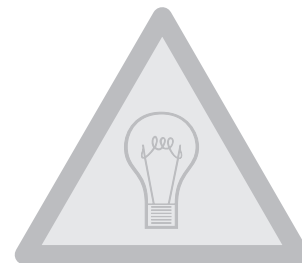
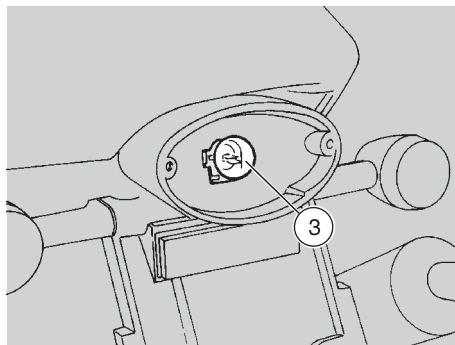
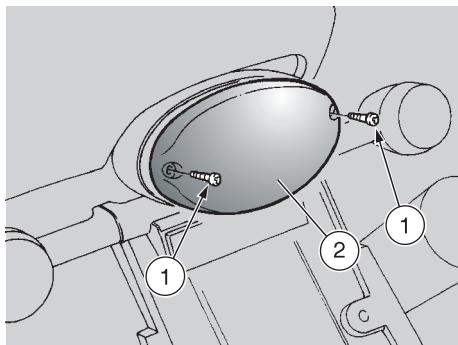
Tighten the screw (12) moderately and carefully, to avoid damaging the protection screen.

- ◆ Press the bulb (14) slightly and rotate it anticlockwise.
- ◆ Extract the bulb from its seat.

NOTE Insert the bulb in the bulb socket, making the two bulb pins coincide with the relevant guides on the socket.

- ◆ Correctly install a new bulb of the same type.

NOTE If the bulb socket (15) goes out of its seat, insert it correctly, making the bulb socket opening coincide with the screw seat.



CHANGING THE REAR LIGHT BULB

Carefully read p. 65 (BULBS).

NOTE Before changing a bulb, check the fuse, see p. 62 (CHANGING THE FUSE) and the effective operation of the stoplight switches, see p. 64 (CHECKING THE SWITCHES).

- ◆ Position the vehicle on the stand.
- ◆ Unscrew and remove the two screws (1).
- ◆ Remove the protection screen (2).

NOTE Upon reassembly, correctly position the protection screen in its seat.

⚠ CAUTION

Upon reassembly, tighten the two screws (1) moderately and carefully, to avoid damaging the protection screen.

- ◆ Press the bulb (3) slightly and rotate it anticlockwise.
- ◆ Extract the bulb from its seat.

NOTE Insert the bulb in the bulb socket, making the two bulb pins coincide with the relevant guides on the socket.

- ◆ Correctly install a new bulb of the same type.



⚠ WARNING

Before transporting the vehicle, it is necessary to empty the fuel tank and the carburettor completely, see beside (DRAINING THE FUEL TANK) making sure that both are completely dry.

During transport, the vehicle must be kept in vertical position, it must be firmly anchored and the 1st gear must be engaged, in order to avoid any leak of fuel, oil, coolant.

⚠ WARNING

In case of failure, do not tow the vehicle, but ask for assistance.

DRAINING THE FUEL TANK

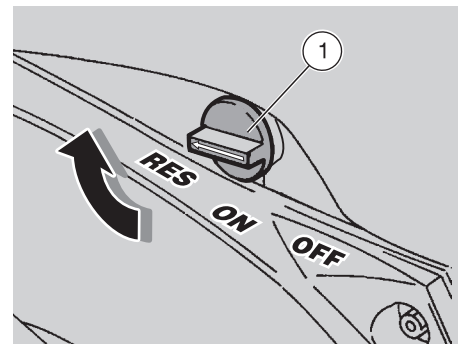
Carefully read p. 21 (FUEL).

⚠ WARNING

Risk of fire.
Wait until the engine and the exhaust silencer have completely cooled down. Fuel vapours are noxious for your health.
Before proceeding, make sure that the room in which you are working is properly ventilated.
Do not inhale fuel vapours.
Do not smoke, nor use free flames.

DO NOT DISPOSE OF FUEL IN THE ENVIRONMENT.

- ◆ Position the vehicle on the stand.
- ◆ Stop the engine and wait until it has cooled down.
- ◆ Prepare a container with capacity exceeding the fuel quantity present in the tank and put it on the ground on the left side of the vehicle.
- ◆ Remove the filler cap.
- ◆ Empty the fuel tank by means of a manual pump or a similar system.



⚠ WARNING

After draining the tank, tighten the filler cap.

To drain the carburettor completely, proceed as follows:

- ◆ Position the fuel tap (1) on "RES".
- ◆ Start the vehicle, see p. 32 (STARTING).
- ◆ Accelerate a few times, until the engine stops due to lack of fuel.

If necessary, contact an **aprilia Official Dealer**.



Clean the vehicle frequently if it used in particular areas or conditions, such as:

- ◆ Polluted areas (cities and industrial areas).
- ◆ Areas characterized by an high percentage of salinity and humidity (sea areas, hot and humid climates).
- ◆ Particular conditions (use of salt and anti-ice chemical products on the roads during the winter).
- ◆ Avoid leaving deposits of industrial and polluting powders, tar spots, dead insects, bird droppings, etc. on the body.
- ◆ Avoid parking the vehicle under trees, since in some seasons residues, resins, fruits or leaves fall down, which contain substances that may damage the paint.

⚠ WARNING

After the vehicle has been washed, its braking functions could be temporarily impaired because of the presence of water on the grip surfaces. Calculate long braking distances to avoid accidents. Brake repeatedly to restore normal conditions.

Carry out the preliminary checking operations, see p. 31 (PRELIMINARY CHECKING OPERATIONS).

To remove dirt and mud from the painted surfaces use a low- pressure water jet, carefully wet the dirty parts, remove mud and filth with a soft car sponge impregnated with a lot of water and shampoo (2 ÷ 4% parts of shampoo in water). Then rinse with plenty of water and dry with chamois leather.

To clean the outer parts of the engine use a degreaser, brushes and wipers.

⚠ CAUTION

Polish with silicone wax only after having carefully washed the vehicle.

Do not use polishing pastes on matt paints.

Do not wash the vehicle under the sun, especially during the summer, when the body is still warm, since if the shampoo dries before being rinsed away, it can damage the paint.

Do not use water (or liquids) at a temperature exceeding 40°C to clean the plastic components of the vehicle.

Use neither high pressure water/air jets, nor vapour jets on the following parts: wheel hubs, controls on the right and on the left side of the handlebar, bearings, brake pumps, instruments and indicators, silencer exhaust, glove/tool kit compartment, ignition switch/steering lock.

Do not use alcohol, petrol or solvents to clean the rubber and plastic parts and the saddle: use only water and mild soap.

⚠ WARNING

Do not apply protection waxes onto the saddle, in order not to make it too slippery.

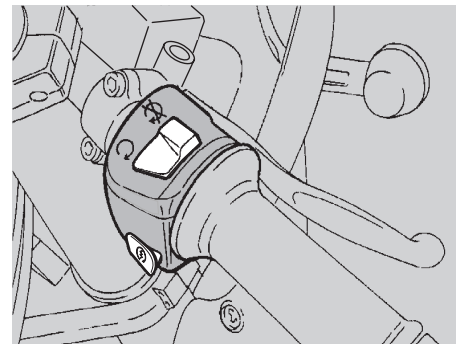
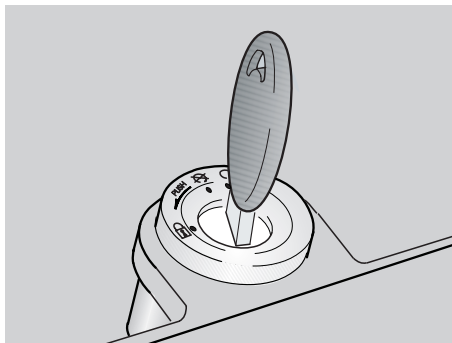
LONG PERIODS OF INACTIVITY

After a long period of inactivity of the vehicle some precautions are necessary to avoid any problem.

Further, it is important to carry out the necessary repairs and a general check up before the period of inactivity, since you could forget to carry them out later.

Proceed as follows:

- ◆ Empty the fuel tank and the carburettor, see p. 69 (DRAINING THE FUEL TANK).
- ◆ Extract the spark plug and pour a teaspoon (5-10 cm³) of two-stroke engine oil into the cylinder.
Move the ignition switch to position “○”, press the start push button “Ⓢ” for a few seconds, to distribute the oil evenly on the cylinder surfaces.
Put back the spark plug.



- ◆ Remove the battery, see p. 60 (REMOVING THE BATTERY) and p. 59 (LONG INACTIVITY OF THE BATTERY).
- ◆ Wash and dry the vehicle, see p. 70 (CLEANING).
- ◆ Polish the painted surfaces with wax.
- ◆ Inflate the tyres, see p. 29 (TYRES).
- ◆ By means of a suitable support, position the vehicle so that both tyres are raised from the ground.
- ◆ Place the vehicle in an unheated, not-humid room, away from sunlight, with minimum temperature variations.
- ◆ Cover the vehicle avoiding the use of plastic or waterproof materials.

AFTER A PERIOD OF INACTIVITY





- ◆ Uncover and clean the vehicle, see p. 70 (CLEANING).
- ◆ Check the charge of the battery, see p. 61 (RECHARGING THE BATTERY) and install it, see p. 61 (INSTALLING THE BATTERY).
- ◆ Refill the fuel tank, see p. 21 (FUEL).
- ◆ Carry out the preliminary checking operations, see p. 31 (PRELIMINARY CHECKING OPERATIONS).




WARNING

Have a test ride at moderate speed in a low-traffic area.

TECHNICAL DATA



DIMENSIONS	Max. length.....	1920 mm
	Max. length (rear mudguard extension included OPTI)	1985 mm
	Max. width.....	675 mm
	Max. height (front part of the fairing included)	1155 mm
	Seat height.....	810 mm
	Distance between centres.....	1280 mm
	Min. ground clearance.....	170 mm
	Weight ready for starting.....	115 kg
	ENGINE	Type
Number of cylinders		1
Total displacement		49.75 cm ³
Bore / stroke		40.3 mm / 39.0 mm
Compression ratio		12.0 ± 0.5 : 1
Starting.....		electric
Engine idling rpm		1100 ± 100 rpm
Clutch.....		multidisc in oil bath, with manual control on the left side of the handlebar.
CAPACITY	Cooling.....	liquid-cooled
	Fuel (reserve included)	13 ℓ
	Fuel reserve	2.6 ℓ (mechanical reserve)
	Transmission oil	820 cm ³
	Coolant.....	0.9 ℓ (50% water + 50% antifreeze with ethylene glycol)
	2 stroke oil (reserve included).....	1.6 ℓ
	2 stroke oil reserve.....	0.35 ℓ
	Front fork oil	285 cm ³ (for each rod)
	Seats.....	1 (2 in the countries where this is allowed)
	Vehicle max. load (driver + luggage).....	105 kg
	(driver+passenger+luggage).....	180 kg (in the countries where this is allowed)

TRANSMISSION	Type	mechanical, 6 gears with foot control on the left side of the engine			
GEAR RATIOS	Ratio	Primary	Secondary	Final ratio	Total ratio
	1st	20/71 = 1 : 3.550	12 / 36 = 1: 3.000	11 / 47 = 1 : 4.272	1 : 45.496
	2nd		16 / 33 = 1: 2.062		1 : 31.271
	3rd		19 / 29 = 1: 1.526		1 : 23.142
	4th		22 / 27 = 1: 1.227		1 : 18.608
	5th		24 / 25 = 1: 1.042		1 : 15.802
	6th		25 / 24 = 1: 0.960		1 : 14.558
CARBURETTOR	Number.....	1			
	Model.....	DELLORTO PHBN 16 HS			
FUEL SUPPLY	Fuel	Leaded or unleaded premium grade petrol (4 Stars ) according to the DIN 51600 standard, min. O.N. 95 (N.O.R.M.) and 85 (N.O.M.M.)			
	Fuel   	unleaded petrol according to the DIN 51607 standard, min. O.N. 95 (N.O.R.M.) and 85 (N.O.M.M.)			
FRAME	Type	in aluminium			
	Steering inclination angle	24°			
	Fore stroke	102 mm			
SUSPENSIONS	Front	hydraulically operated telescopic fork			
	Wheel stroke	110 mm			
	Rear.....	hydraulic adjustable mono-shock absorber			
	Wheel stroke	120 mm			
BRAKES	Front.....	disc brake - Ø 280 mm - with hydraulic transmission			
	Rear.....	disc brake - Ø 220 mm - with hydraulic transmission			
WHEEL RIMS	Type	light alloy			
	Front.....	2.50 x 17"			
	Rear.....	3.00 x 17"			

TYRES	FRONT.....	90/80 17" 46S; 90/80 17" 46P
	- Inflation pressure for solo rider	170 kPa (1.7 bar)
	- Inflation pressure for rider and passenger (*)	180 ± 10 kPa (1.8 ± 0.1 bar)
	REAR.....	110/80 17" 57S; 110/80 17" 57P
	- Inflation pressure for solo rider	190 kPa (1.9 bar)
	- Inflation pressure for rider and passenger (*)	210 ± 10 kPa (2.1 ± 0.1 bar)
IGNITION	Type	CDI
	Spark advance	20° ± 1° before T.D.C.
SPARK PLUG	Standard	NGK BR9ES
	Alternative	CHAMPION RN1C
	  	NGK BR8ES
	Spark plug gap.....	0.6 ÷ 0.7 mm
ELECTRIC SYSTEM	Battery.....	12 V - 4 Ah
	Fuses	7.5 A
	Generator	12 V - 105 W
BULBS	Low beam	12 V - 35 W
	High beam.....	12 V - 35 W
	Parking light	12 V - 5 W
	Direction indicators	12 V - 10 W
	Rear parking light/ number plate light/stoplight	12 V - 5 / 21 W
	Revolution counter.....	12 V - 5 W
	Speedometer	12 V - 3.4 W
	Coolant temperature indicator.....	12 V - 1.2 W
WARNING LIGHTS	Neutral	12 V - 1.7 W
	Right direction indicators.....	12 V - 1.7 W
	High beam.....	12 V - 1.7 W
	2 stroke oil reserve	12 V - 1.7 W
	Left direction indicators	12 V - 1.7 W
	Low beam	12 V - 1.7 W

(*) (in the countries where this is allowed)





LUBRICANT CHART





Gearbox oil (recommended):  F.C., SAE 75W - 90 or  Agip GEAR SYNTH, SAE 75W - 90.

As an alternative to the recommended oil, it is possible to use high-quality oils with characteristics in compliance with or superior to the A.P.I. GL-4 specifications.

Mixer oil (recommended):  PRO GPX 2 or  Agip 2T FORMULA RACING.

As an alternative to the recommended oil, use high-quality oils with characteristics in compliance with or superior to the ISO-L-ETC++, A.P.I. TC++ specifications.

Fork oil (recommended):  F.A. 5W or  F.A. 20W; an alternative  Agip FORK 5W or  Agip FORK 20W fork oil.

If you need an oil with intermediate characteristics in comparison with the  F.A. 5W and  F.A. 20W or  Agip FORK 5W and  Agip FORK 20W, these can be mixed as indicated below:

SAE 10W =  F.A. 5W 67% of the volume +  F.A. 20W 33% of the volume, or
 Agip FORK 5W 67% of the volume +  Agip FORK 20W 33% of the volume .

SAE 15W =  F.A. 5W 33% of the volume +  F.A. 20W 67% of the volume, or
 Agip FORK 5W 33% of the volume +  Agip FORK 20W 67% of the volume .

Bearings and other lubrication points (recommended):  AUTOGREASE MP or  Agip GREASE 30.


As an alternative to the recommended product, use high-quality grease for rolling bearings, working temperature range -30°C.... +140°C, dripping point 150°C... 230°C, high protection against corrosion, good resistance to water and oxidation.

Protection of the battery poles: neutral grease or vaseline.

Spray grease for chains (recommended):  CHAIN SPRAY or  Agip CHAIN LUBE.

WARNING

Use new brake fluid only. Employer uniquement du liquide à freins neuf. Do not mix different makes or types of oil without having checked bases compatibility.

Brake fluid (recommended):  F.F., DOT 4 (DOT 5 compatible) or  Agip BRAKE 5.1 DOT 4 (DOT 5 compatible).

WARNING

Use only antifreeze and anticorrosive without nitrite, ensuring protection at -35°C at least.

Engine coolant (recommended):  ECOBLU - 40°C or  Agip COOL.

THE VALUE OF SERVICE 

Thanks to ongoing technical updates and product-specific technical training, **aprilia** Authorised Network engineers are familiar with every detail of this motorcycle and have the special equipment required for correct maintenance and repair.

A vehicle kept in sleek running order is a reliable vehicle. Pre-ride checks, proper maintenance at the recommended intervals and using **aprilia** Original Parts only are other key factors !

To find contact information of the Authorised Dealer and/or Service Centre nearest you, please consult the Yellow Pages or the map provided at our web site:

www.aprilia.com

When you demand **aprilia** Original Parts, you are purchasing products that have been developed and tested as early as the vehicle design stage. **aprilia** Original Parts systematically undergo strict quality control procedures to ensure total reliability and long service life.

I APRILIA via G. Galilei, 1 - 30033 Noale (VE) Italy
Tel. +39(0)41 5829111 - Fax +39(0)41 441054 - Servizio Clienti **aprilia** +39(0)41 5079821

UK APRILIA WORLD SERVICE UK branch 15 Gregory Way - SK5 7ST Stockport - Cheshire
Tel. 0044-161 475 1800 - Fax 0044-161 475 1825 - Email: massimo_granata@aprilia.com

D APRILIA MOTORRAD Am Seestern 3 - D-40547 - Dusseldorf
Tel. 0049-211-59018-00 - Fax 0049-211-5901819 - Email: Ralf_kemper@aprilia.de

NL APRILIA WORLD SERVICE B.V. Nikkelstraat 1 - 4823 - Ae Breda
Tel. 0031-76-5431640 - Fax 0031-76-5431649 - Email: Dennis_Opstal@nl.aprilia.com

E APRILIA WORLD SERVICE Edificio América, Av.da de Aragón, 334 - 28022 Madrid
Succursale en Espana Tel. 0034-91-7460066 - Fax 0034-91-7460065- Email: Paco_Montes@aprilia.es

F APRILIA WORLD SERVICE z.a. Central Parc - 255 Blv. R. Ballanger B.P. 77 - 93421- Villepinte
Succursale en France Tel. 0033-1-49634747 - Fax 0033-1-49638750 - Email: bschweitzer@aprilia.fr

CZ A. SPIRIT A.S. Saldova 38 - 180 00 - Praha 8 - Karlín
A. SPIRIT A.S. (Sede operativa) Bubenska 43 - 170 00 - Praha 7
Tel. 0042-02-96547142 - Fax 0042-02-96547145 - Email: pistek@aspirit.cz

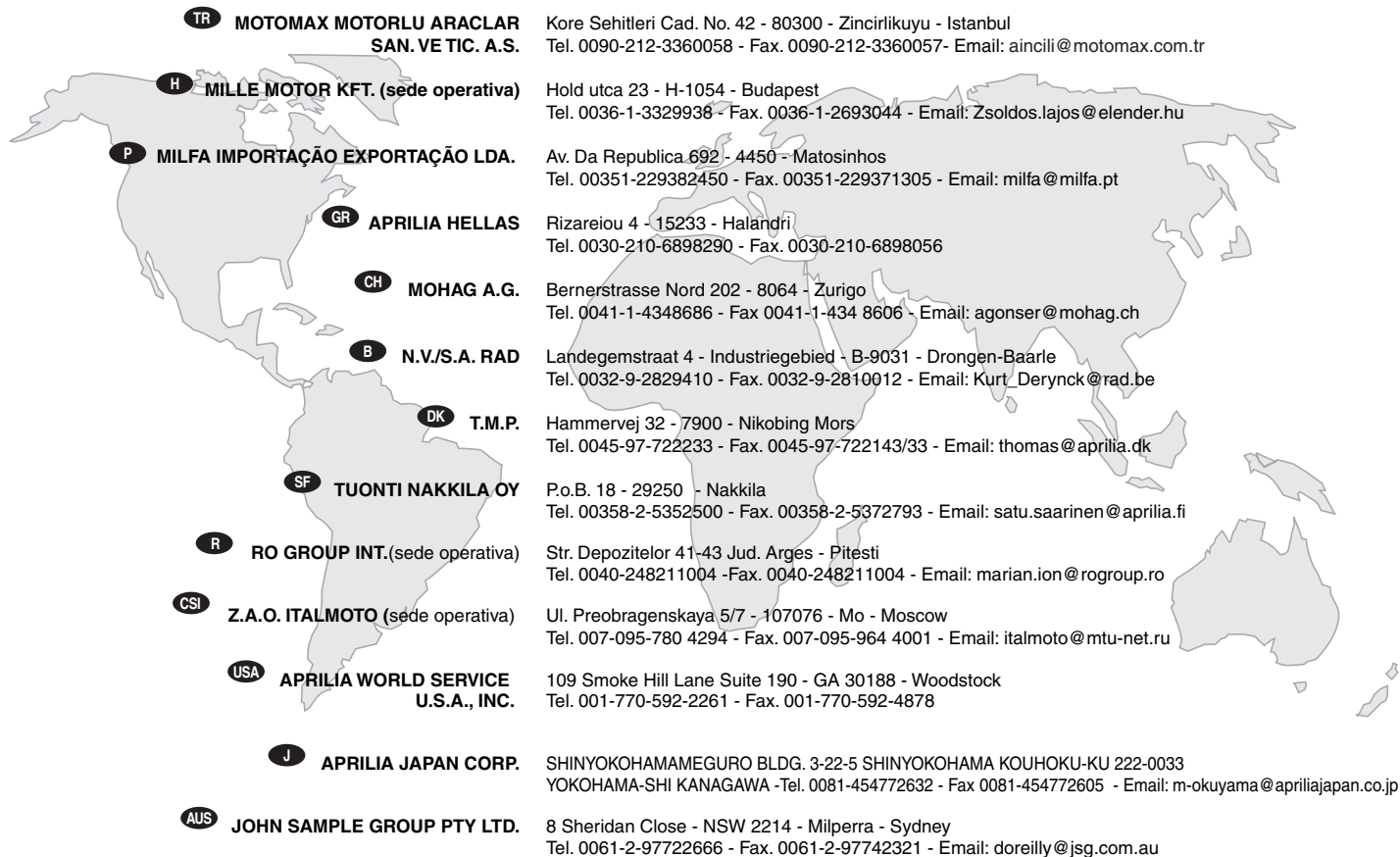
SLO AVTO TRIGLAV d.o.o. Baragova 5 - 1113 - Ljubljana
Tel. 00386-1-5883 421 - Fax. 00386:1-5883465 - Email: ziga.martincic@avto-triglav.si

A GINZINGER IMPORT GmbH & CO. Frankenburgerstrasse 19 - 4910 - Ried im Innkreis
Tel. 0043-7752-88077 - Fax. 0043-7752-70684 - Email: office@aprilia.at

HR ING-KART d.o.o. Samoborska cesta 258 - 10000 - Zagreb
Tel. 00385-1-3498000 - Fax. 00385-1-3499111 - Email: mario.petrusa@aprilia.hr

IRL K.D.I. Kawasaki Distributor IRL. LTD: no. 1 Long Mile Road - Dublin 12
Tel. 00353-1-4566222 - Fax. 00353-1-4756461 - Email:sales@bikeworld.ie

N HARO SKANDINAVIA A.S. Kjobekkaldalen 6 - 3735- Skien
Tel. 0047-35506780 - Fax. 0047-35506781 - E-mail:tore@aprilia.no

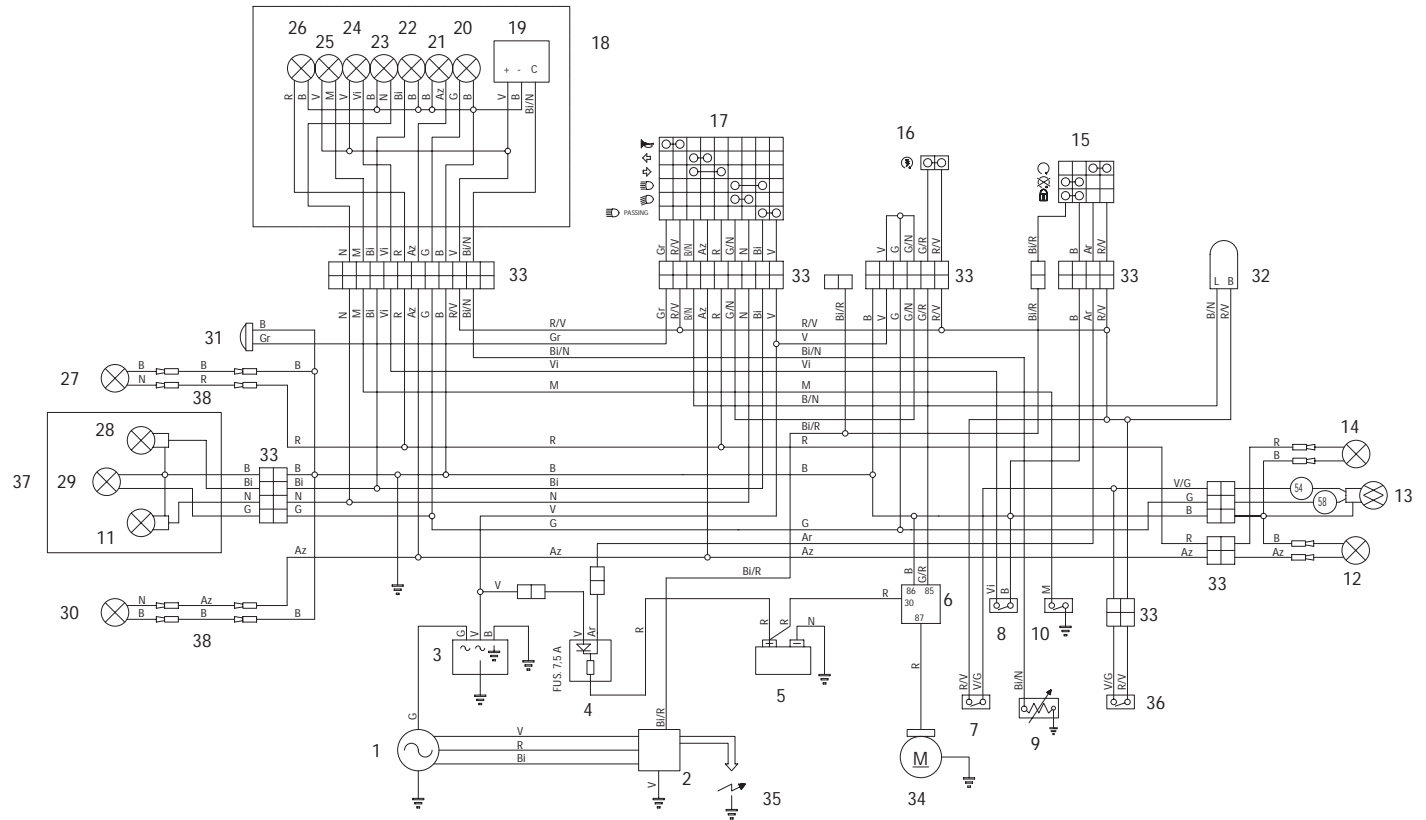


TR	MOTOMAX MOTORLU ARACLAR SAN. VE TIC. A.S.	Kore Sehittleri Cad. No. 42 - 80300 - Zincirlikuyu - Istanbul Tel. 0090-212-3360058 - Fax. 0090-212-3360057 - Email: aincili@motomax.com.tr
H	MILLE MOTOR KFT. (sede operativa)	Hold utca 23 - H-1054 - Budapest Tel. 0036-1-3329938 - Fax. 0036-1-2693044 - Email: Zsoldos.lajos@elender.hu
P	MILFA IMPORTAÇÃO EXPORTAÇÃO LDA.	Av. Da Republica.692 - 4450 - Matosinhos Tel. 00351-229382450 - Fax. 00351-229371305 - Email: milfa@milfa.pt
GR	APRILIA HELLAS	Rizareiou 4 - 15233 - Halandri Tel. 0030-210-6898290 - Fax. 0030-210-6898056
CH	MOHAG A.G.	Bernerstrasse Nord 202 - 8064 - Zurigo Tel. 0041-1-4348686 - Fax 0041-1-434 8606 - Email: agonser@mohag.ch
B	N.V./S.A. RAD	Landegemstraat 4 - Industriegebied - B-9031 - Drongen-Baarle Tel. 0032-9-2829410 - Fax. 0032-9-2810012 - Email: Kurt_Derynck@rad.be
DK	T.M.P.	Hammervej 32 - 7900 - Nikobing Mors Tel. 0045-97-722233 - Fax. 0045-97-722143/33 - Email: thomas@aprilia.dk
SF	TUONTI NAKKILA OY	P.o.B. 18 - 29250 - Nakkila Tel. 00358-2-5352500 - Fax. 00358-2-5372793 - Email: satu.saarinen@aprilia.fi
R	RO GROUP INT.(sede operativa)	Str. Depozitelor 41-43 Jud. Arges - Pitesti Tel. 0040-248211004 -Fax. 0040-248211004 - Email: marian.ion@rogroup.ro
CSI	Z.A.O. ITALMOTO (sede operativa)	Ul. Preobragenskaya 5/7 - 107076 - Mo - Moscow Tel. 007-095-780 4294 - Fax. 007-095-964 4001 - Email: italmoto@mtu-net.ru
USA	APRILIA WORLD SERVICE U.S.A., INC.	109 Smoke Hill Lane Suite 190 - GA 30188 - Woodstock Tel. 001-770-592-2261 - Fax. 001-770-592-4878
J	APRILIA JAPAN CORP.	SHINYOKOHAMAMEGURO BLDG. 3-22-5 SHINYOKOHAMA KOUHOKU-KU 222-0033 YOKOHAMA-SHI KANAGAWA -Tel. 0081-454772632 - Fax 0081-454772605 - Email: m-okuyama@apriliajapan.co.jp
AUS	JOHN SAMPLE GROUP PTY LTD.	8 Sheridan Close - NSW 2214 - Milperra - Sydney Tel. 0061-2-97722666 - Fax. 0061-2-97742321 - Email: doreilly@jsg.com.au

NZ MOTORCYCLING DOWNUNDER LTD.	35, Manchester Street - P.o.B. 22416 - Christchurch Tel. 0064-3-3660129 - Fax. 0064-3-3667580 - Email: j.horne@xtra.co.nz
RSA MOTOVELO S.A.	Old Pretoria Road - Wynberg - Johannesburg Tel. 0027-11-7868486 - Fax. 0027-11-7868482 - Email: motovelo@betech.co.za
MEX APRILIA DE MEXICO, SA. de CV.	San Jeromino - 64640 - 552 Monterrey N.L. Tel. 0052-818333-4493 - Fax. 0052-818348-9398 - sbertu Email: javier@aprilia.com.mx
ROK BIKE KOREA CO. LTD.	YeungSoo Bldg. 302 #206-25, Ohjang-Dong, Chung-Ku Seoul Tel. 0082-2-22756130 - Fax. 0082-2-22756132 - Email: kukbike@yahoo.co.kr
RP ULTRA BIKERS NETWORK INC.	Bldg. 7294 cn Recto Highway - Pampanga Tel. 00632-7524450 - Fax 00632-7505764 - Email: ultracar@info.com.ph
SGP CYCLENET PTE TLD	1179 Serangoon Road - 328232 - Singapore Tel. 0065 6299 6251 - Fax. 0065 6297 5684 - Email: jeorj@mah.com.sg
HK AH LAM MOTORCYCLE CO. LTD.	29 Hak Po Street - Mongkok Kowloon - Hong Kong Tel. 00852-23859229 - Fax. 00852-23857920 - Email: garyyip@ahlam.com.hk
RC PERFECT MOTORS COMPANY LIMITED	No. 256, Sec. 2, Jhongan Road, Taishan Township, Taipei County - 243 R.O.C Taipei Tel. 00886-222970511 - Fax. 00886-222970569 - Email: twintwin2@hotmail.com
KWT ZED MOTORZ - Div. Of AL-RADWAN INTERNATIONAL GROUP	Block 1, Street 13, Bldg 107, Shuwaikh Industrial 45703 Tel. 00965-4828072 - Fax. 00965-4828073 - Email: zed@zedmotorz.com
RL ACCESS INTERNATIONAL FOR TRADING SARL.	Diamond Tower, 10th Floor P.O.B. 13 - Verdun, near Mandarine Beirut Tel. 00961-1797333 - Fax. 00961-1798333 - Email: access_in@hotmail.com
RI PT. MOTOR MEGA PERFORMA	Jl. Keutamaan no. 75 - Jakarta Barat Tel. 0062 21 63333929 - Fax. 0062 21 6337889 - Email: purity@cbn.net.id
CDN BARRETT MARKETING GROUP Ltd.	9060 300 Lockhart Mill Road - E7M 5C3 - Woodstock Tel. 001-5063281315 - Fax. 001-5063281582 - Email: joseeb@barrettcorp.com

BERMUDA INTERNATIONAL LTD.	235, Middle Road - Southampton Tel. 001-4412385050 - Email: eurospice@ibl.bm
IND MAJESTIC AUTO LIMITED	10th KM Stone - G.T. Road - P.O.Dujana - 203207 Dadri - Ghaziabad UP Tel. 0091-98100-19315 - Fax. 0091-98100-19300
GCA MOTOMANIA, S.A.	BOULEVARD LIBERACION 4-19, ZONA 9 - 1009 - GUATEMALA CITY Tel. 0050-2-3622868 /69 - Fax. 0050-2-3622877 - Email: roberto.alvarado@motomania.tv
AZG DUARTE BASTOS & CASTENDO, LDA	Rua Dr. António José de Almeida n°238- Benguela Tel. 00244-7-232669 - Fax 00244-7-235106 - Email: castendo@nexus.ao
CR EUROBIKE BZ S.A.	Curridabat De Municipalidad Mts. Sur. Aptado Postal 2733 - 1000 San Jose Tel. 00506-272-6680 - Fax 00506-272-0460 - Email: motobrey@racsa.co.cr
BG H.W.A.K. CO. LTD	61 Cyril amd Metody Str. Sofia Tel. 0035929887320 - Fax 0035929887321 - Email: hwak@techo-link.com
PL T.W. CONSULTING Sp. Z.o.o.	Ul. Zakliki z Mydlnik 16 30-198 Krakow Tel. 0048-126232680 - Fax 0048-124253366 - Email: lukasz.wicher@ktm.info
MAL TOTAL TITANIUM SDN BHD	Lot 7B Jalan Bersatu 13/4 - Section 13 46200 Petaling Jaya Selangor Tel. 0060326983500 - Fax 0060326981195 - Email: ajackso@attglobal.net

WIRING DIAGRAM - RS 50



WIRING DIAGRAM KEY - RS 50

- 1) Generator
- 2) Coil
- 3) Regulator
- 4) Rectifier
- 5) Battery
- 6) Start relay
- 7) Rear stoplight switch
- 8) Oil level sensor
- 9) Coolant thermistor
- 10) Neutral sensor
- 11) Low beam
- 12) Rear left direction indicator
- 13) Rear light
- 14) Rear right direction indicator
- 15) Ignition switch
- 16) Right dimmer switch
- 17) Left dimmer switch
- 18) Dashboard
- 19) Coolant temperature indicator
- 20) Dashboard bulbs
- 21) Left direction indicator warning light
- 22) High beam warning light
- 23) Low beam warning light
- 24) 2 stroke oil reserve warning light
- 25) Neutral warning light
- 26) Right direction indicator warning light
- 27) Front right direction indicator
- 28) High beam
- 29) Front parking light
- 30) Front left direction indicator
- 31) Horn
- 32) Blinking
- 33) Multiple connectors
- 34) Starter
- 35) Spark plug

- 36) Front stoplight switch
- 37) Headlight
- 38) Direction indicators extension

CABLE COLOURS

- Ar** Orange
Az Light blue
B Blue
Bl White
G Yellow
Gr Grey
M Brown
N Black
R Red
V Green
Vi Violet

NOTE

aprilia

ASK FOR GENUINE SPARE PARTS ONLY



NOTE

aprilia

ASK FOR GENUINE SPARE PARTS ONLY

NOTE

aprilia

ASK FOR GENUINE SPARE PARTS ONLY



NOTE

aprilia

ASK FOR GENUINE SPARE PARTS ONLY

NOTE

aprilia

ASK FOR GENUINE SPARE PARTS ONLY



aprilia s.p.a. wishes to thank its customers for the purchase of this vehicle.

- Do not dispose of oil, fuel, polluting substances and components in the environment.
- Do not keep the engine running if it isn't necessary.
- Avoid disturbing noises.
- Respect nature.